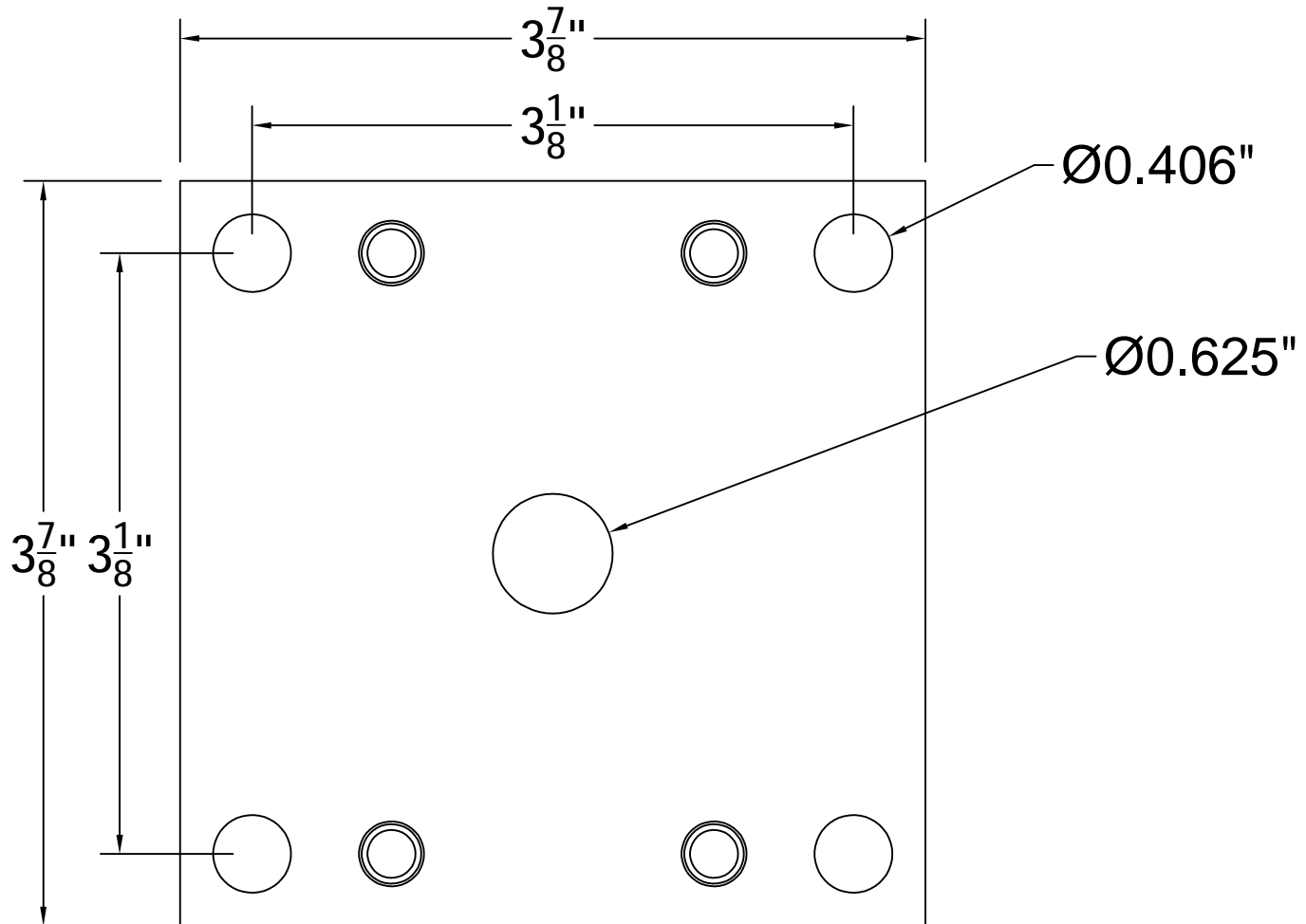


For 2" Standard Post
 $\frac{3}{8}$ " Thick Plate

REV.	LOC.	REVISION	DATE



D
C
B
A



DSI Digger Specialties Inc.
Transforming the Outdoor Living Experience
 3446 US 6 EAST
 Bremen, IN 46506
 diggerspecialties.com

DRAWN BY: EH	STYLE:	.375 X 3.875 Plate
DATE DRAWN: 07-17-2019	AS SHOWN:	
SCALE = 1":1"	DRAFT NO.: 20190717-1E	LOC: Z:\Aluminum\Components\Post Mounts, Welded Plates\2" Sq. Post\Updated Standard Drawings
		REV.

4

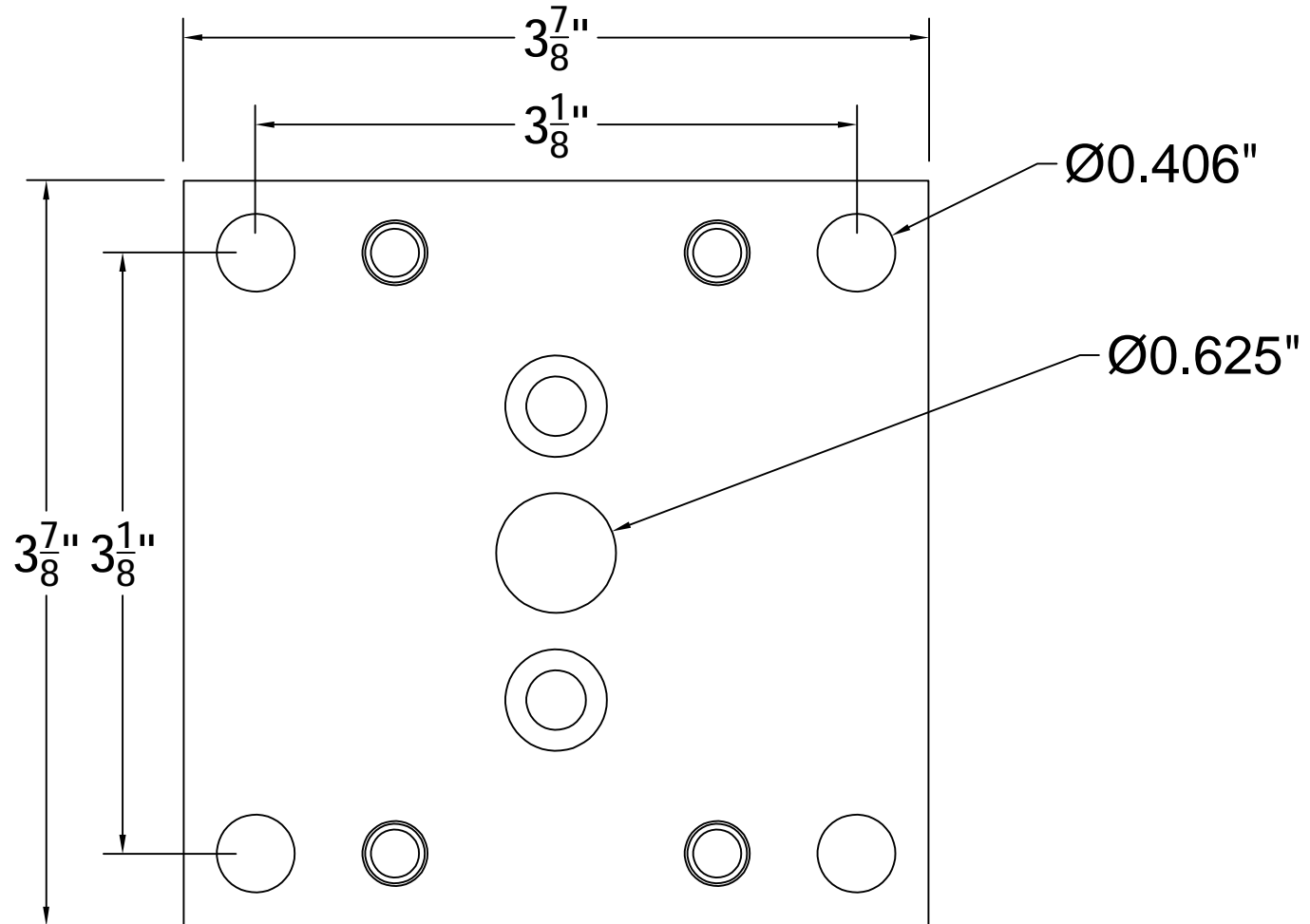
3

2

1

For 2" Heavy Duty Post
 $\frac{1}{2}$ " Thick Plate

REV.	LOC.	REVISION	DATE



D

C

B

A



DSI Digger Specialties Inc.
Transforming the Outdoor Living Experience
 3446 US 6 EAST
 Bremen, IN 46506
 diggerspecialties.com

DRAWN BY: EH	STYLE:	.5 X 3.875 Plate	REV.
DATE DRAWN: 07-17-2019	AS SHOWN:		
SCALE = 1":1"	LOC: Z:\Aluminum\Components\Post Mounts, Welded Plates\2" Sq. Post\Updated Standard Drawings		
DRAFT NO.: 20190717-1E			

4

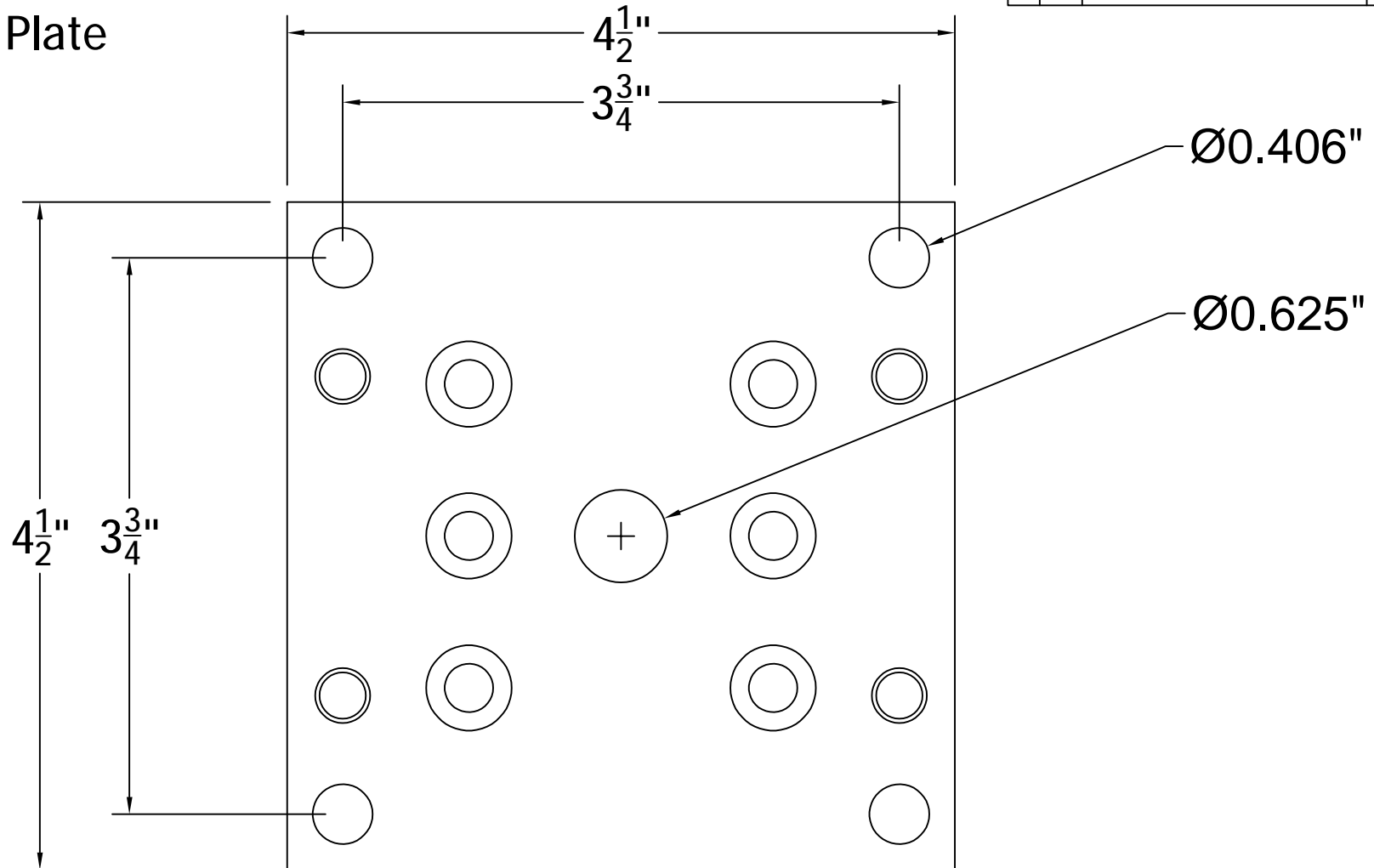
3

2

1

For 2½" Power Post
 ½" Thick Plate

REV.	LOC.	REVISION	DATE



DSI Digger Specialties Inc.
Transforming the Outdoor Living Experience
 3446 US 6 EAST
 Bremen, IN 46506
 diggerspecialties.com

DRAWN BY: EH	STYLE:	.5 X 4.5 Plate	REV.
DATE DRAWN: 07-17-2019			
SCALE = 1":1"	AS SHOWN:		
DRAFT NO.: 20190717-1E	LOC: Z:\Aluminum\Components\Post Mounts, Welded Plates\2.5" Sq. Post\Updated Standard Drawings		

4

3

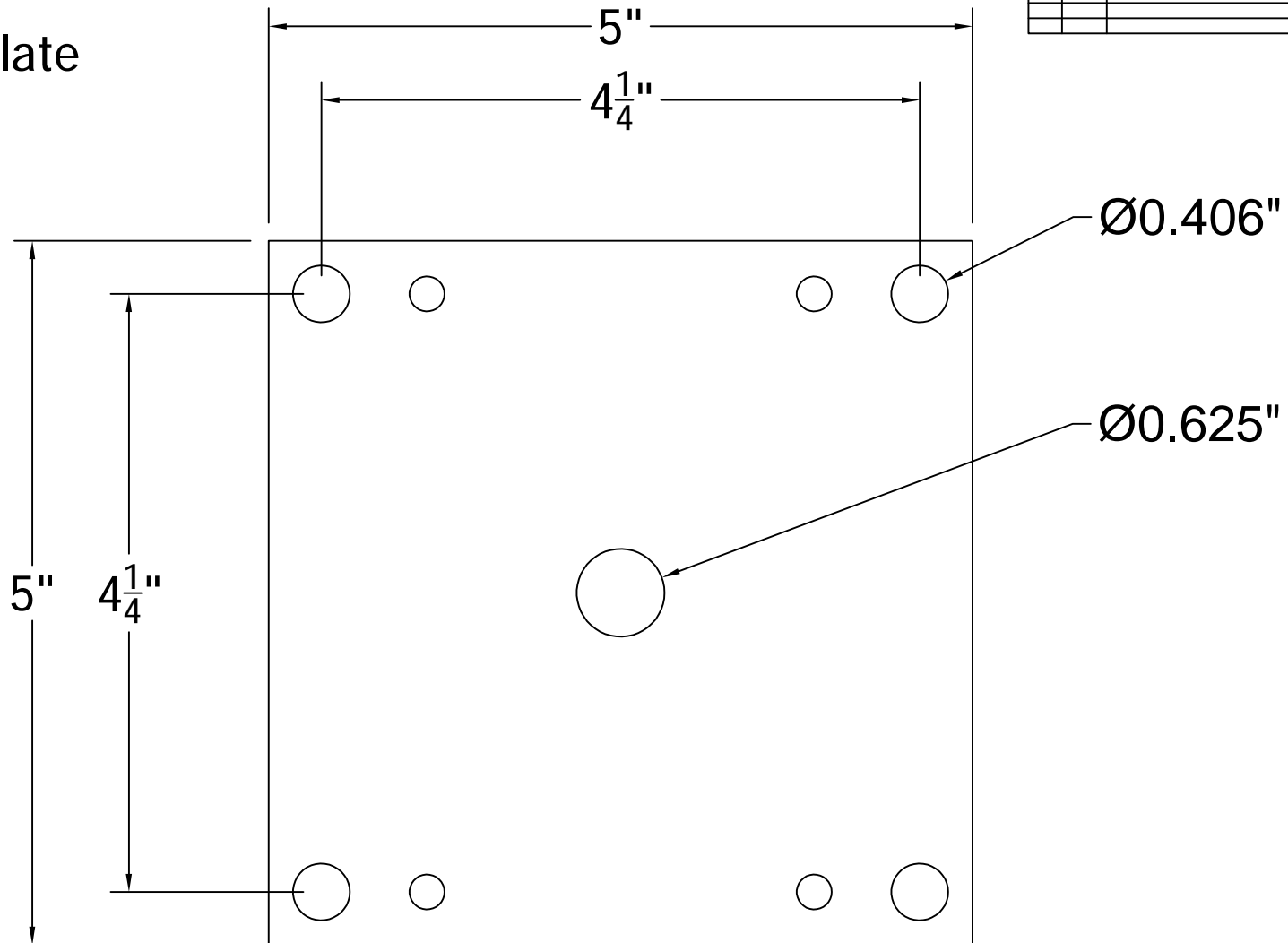
2

1

D
C
B
A

For 3" Standard Post
 $\frac{3}{8}$ " Thick Plate

REV.	LOC.	REVISION	DATE



DSI Digger Specialties Inc.
Transforming the Outdoor Living Experience
 3446 US 6 EAST
 Bremen, IN 46506
 diggerspecialties.com

DRAWN BY: EH	STYLE:	REV.
DATE DRAWN: 07-17-2019	.375 X 5 Plate	
SCALE = 1":1"	AS SHOWN:	
DRAFT NO.: 20190717-1E	LOC: Z:\Aluminum\Components\Post Mounts, Welded Plates\3" Sq. Post\Updated Standard Drawings	

4

3

2

1

D

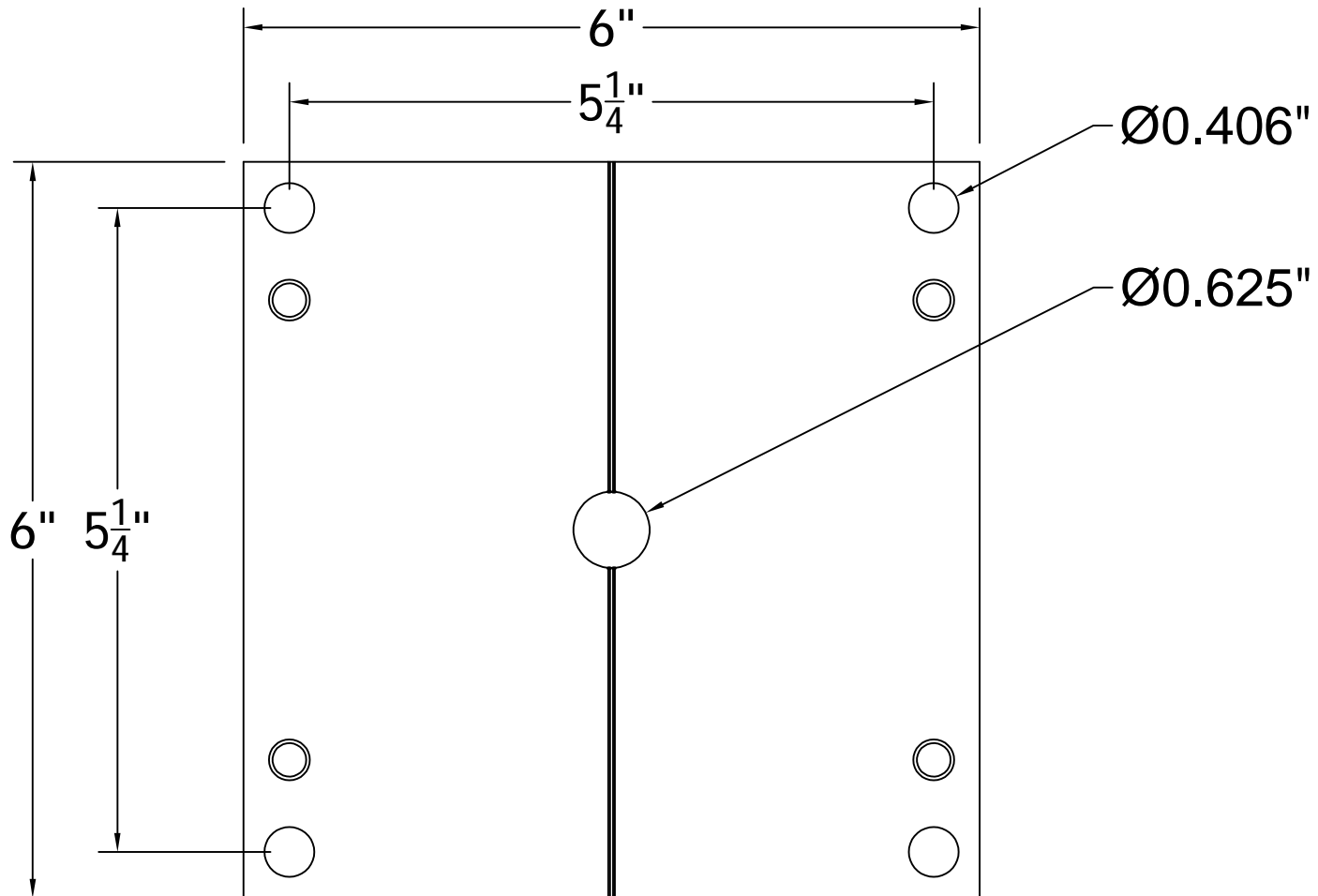
C

B

A

For 4" Plain Post
 $\frac{1}{2}$ " Thick Plate

REV.	LOC.	REVISION	DATE



DSI Digger Specialties Inc.
Transforming the Outdoor Living Experience
 3446 US 6 EAST
 Bremen, IN 46506
 diggerspecialties.com

DRAWN BY: EH	STYLE:	.5 X 6 Plate	REV.
DATE DRAWN: 07-17-2019	AS SHOWN:		
SCALE = 1":1"	LOC: Z:\Aluminum\Components\Post Mounts, Welded Plates\4" Sq. Post\Updated Standard Drawings		
DRAFT NO.: 20190717-1E			

4

3

2

1

D

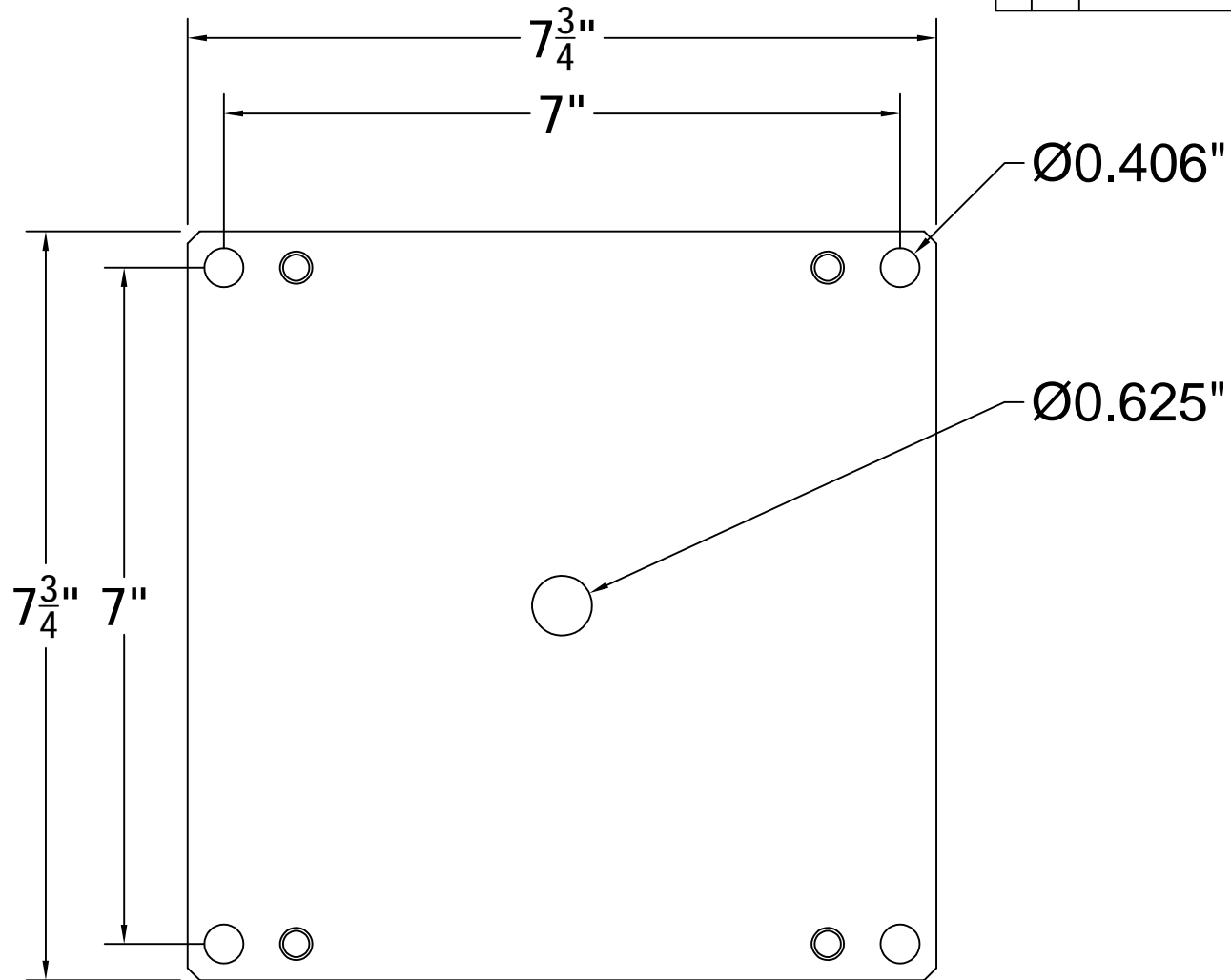
C

B

A

For 6" Post
 $\frac{3}{8}$ " Thick Plate

REV.	LOC.	REVISION	DATE



DSI Digger
 Specialties
 Inc.
Transforming the Outdoor Living Experience®
 3446 US 6 EAST
 Bremen, IN 46506
 diggerspecialties.com

DRAWN BY: EH	STYLE:	.375 X 7.75 Plate
DATE DRAWN: 07-17-2019	AS SHOWN:	
SCALE = 1":1"	DRAFT NO.: 20190717-1E	LOC: Z:\Aluminum\Components\Post Mounts, Welded Plates\6" Sq. Post\Updated Standard Drawings
		REV.

4

3

2

1

D

C

B

A