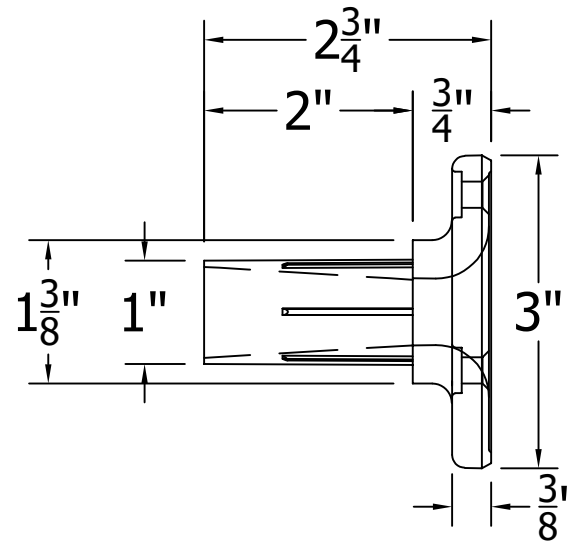
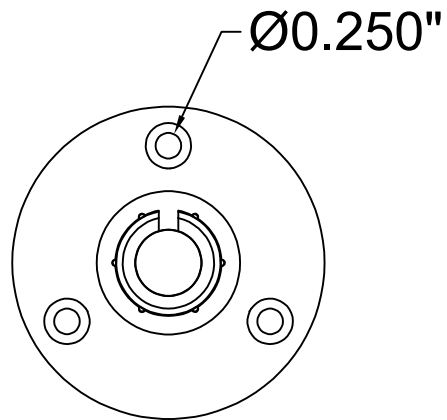
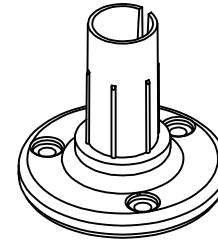




| REV. | LOC. | REVISION | DATE |
|------|------|---------------|--------|
| A | | Updated Logos | 1/6/21 |
| | | | |
| | | | |
| | | | |



| | | | |
|---|--|--|--|
|  |  <p>3446 US 6 EAST Bremen, IN 46506 diggerspecialties.com</p> | DRAWN BY: EH DATE DRAWN: 02-25-2020 | STYLE: Wall End Mount |
| | | SCALE = 1":1" DRAFT NO.: 20200225-1E | AS SHOWN: LOC: Z:\Aluminum\ADA Continuous Handrail |
| | | REV. A | |

4

3

2

1

D

C

B

A