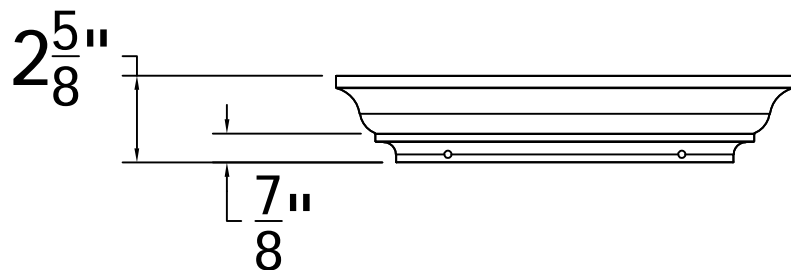
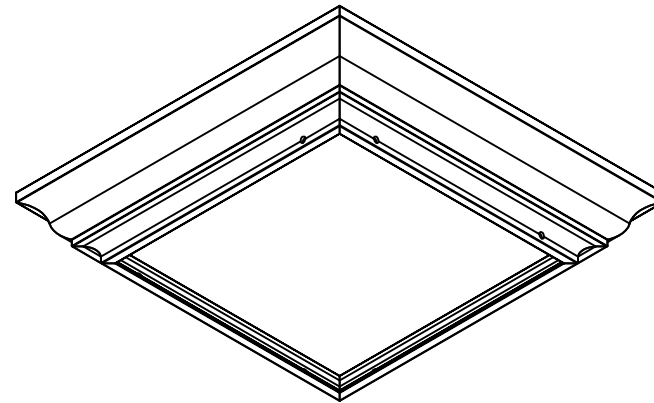
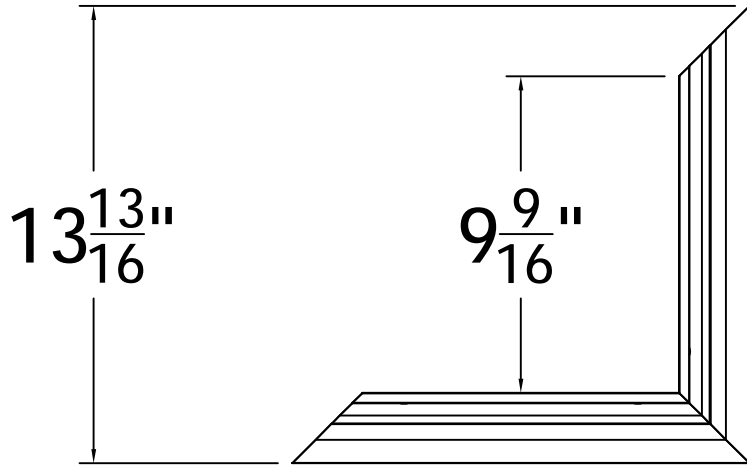
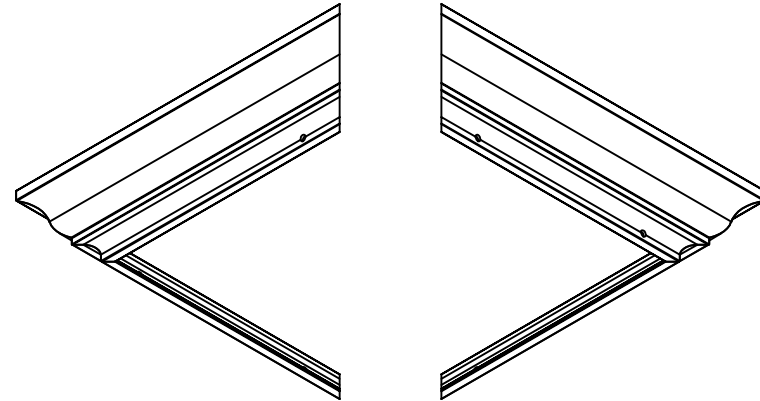


For 10" Square Smooth Columns

REV.	LOC.	REVISION	DATE




Digger Specialties Inc.
Transforming the Outdoor Living Experience
 3446 US 6 EAST
 Bremen, IN 46506
diggerspecialties.com

DRAWN BY: EH	STYLE: Square Smooth Split Cap 10IN	REV.
DATE DRAWN: 11-27-2019	AS SHOWN:	
SCALE = 1":1"	LOC: Z:\Aluminum\DSI Columns\Sq. Plain Columns\10 Inch\Updated Standard Drawings	
DRAFT NO.: 20191127-1E		

4

3

2

1

D

C

B

A