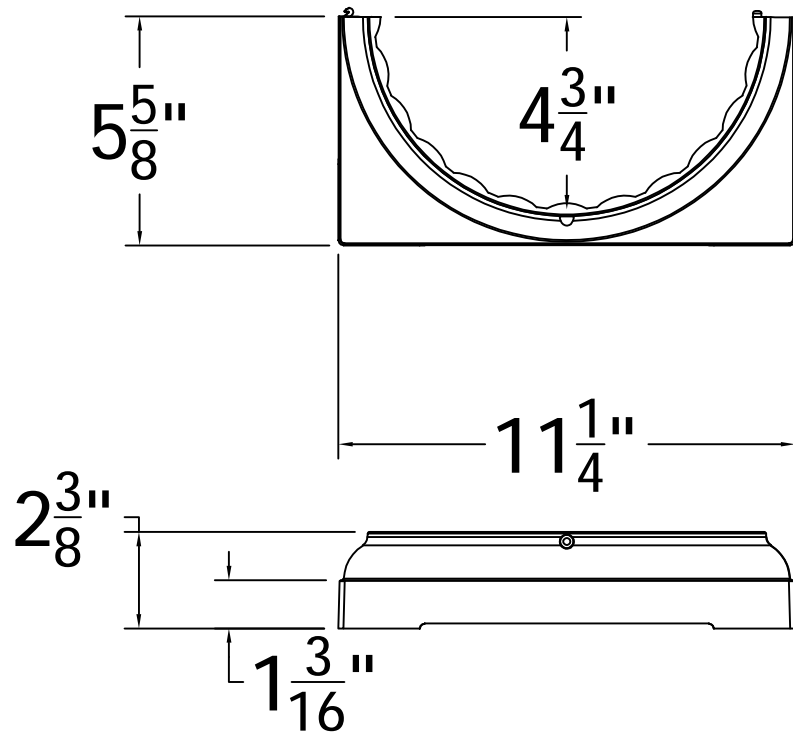
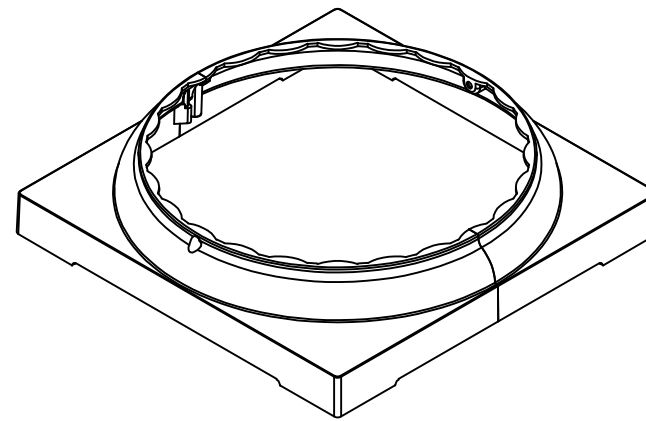
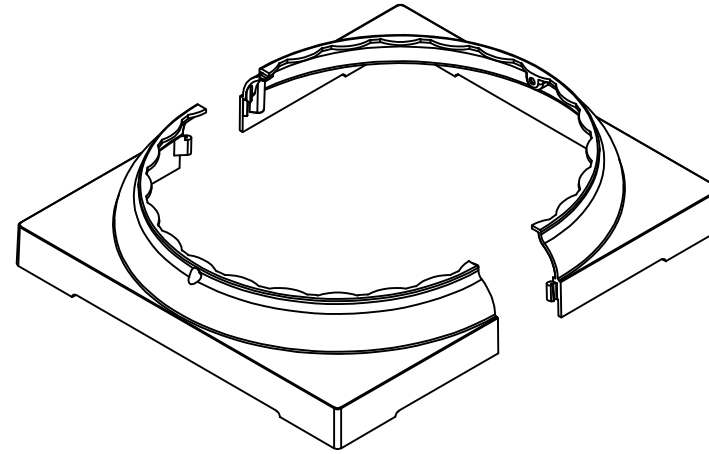


# For 10" Round Fluted Columns

REV.	LOC.	REVISION	DATE



  
**Westbury**<sup>®</sup>  
 COLUMNS

 **Digger Specialties Inc.**  
*Transforming the Outdoor Living Experience*  
 3446 US 6 EAST  
 Bremen, IN 46506  
 diggerspecialties.com

DRAWN BY: EH	STYLE:	<b>Round Fluted Split Cap And Base 10IN</b>	REV.
DATE DRAWN: 11-18-2019	AS SHOWN:		
SCALE = 1":1"	LOC: Z:\Aluminum\DSI Columns\Rnd Fluted Columns\10 Inch\Updated Standard Drawings		
DRAFT NO.: 20191118-1E			

4

3

2

1

D

C

B

A