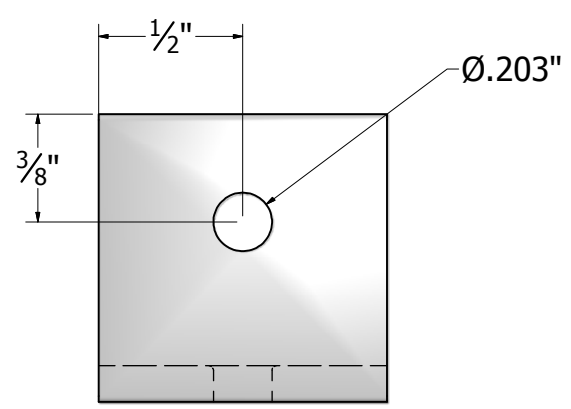
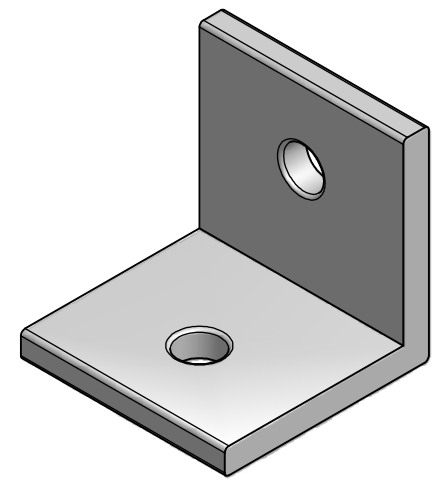
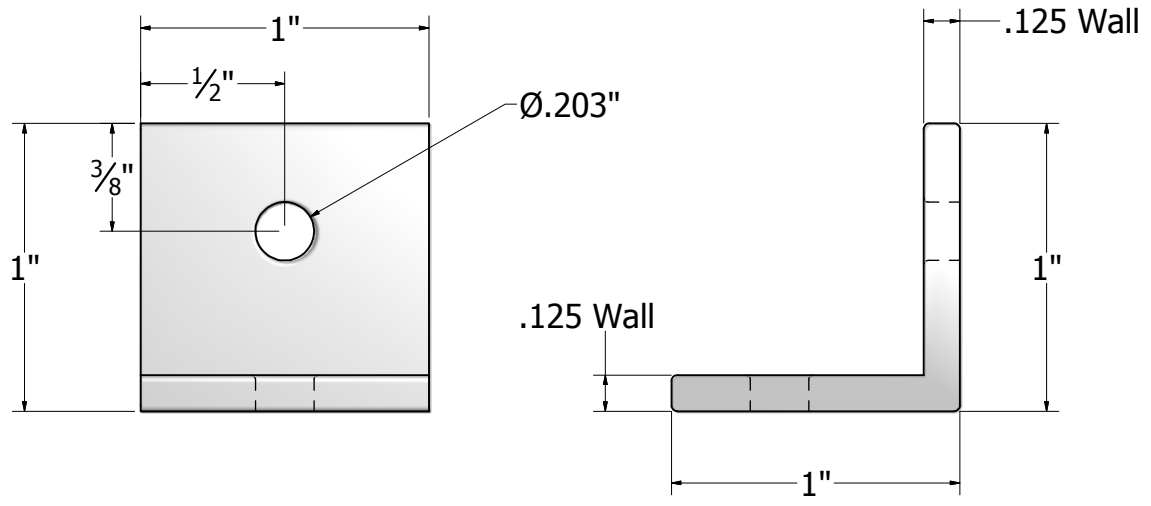


1		PART NUMBER:
REV.	REVISION	DATE
A	RELEASED TO PRODUCTION	
B	Made it a purchase part number and description	11-22-11



**DSI** Digger Specialties Inc.  
Transforming the Outdoor Living Experience  
3446 US 6 EAST  
BREMEN, IN 46506  
diggerspecialties.com

WEIGHT: .024 lbs.  
STANDARD TOLERANCE: .00 .01  
.000 .005  
ANG. .5~  
FRACTIONS:  $\pm \frac{1}{16}$ "  
DRAFT NO.

DRAWN BY: fsb  
DATE DRAWN: 11/21/2011  
APPROVED BY:  
DATE APPR'D:  
FILE LOC.  
Z/Projects/Projects 2011/  
Alum Columns from AFCO

MATERIAL: 6063 T6 Aluminum  
PART NAME: Bracket pln Alum  
Angle 1" x 1" .125wall  
PART NUMBER: 55844  
REV. B