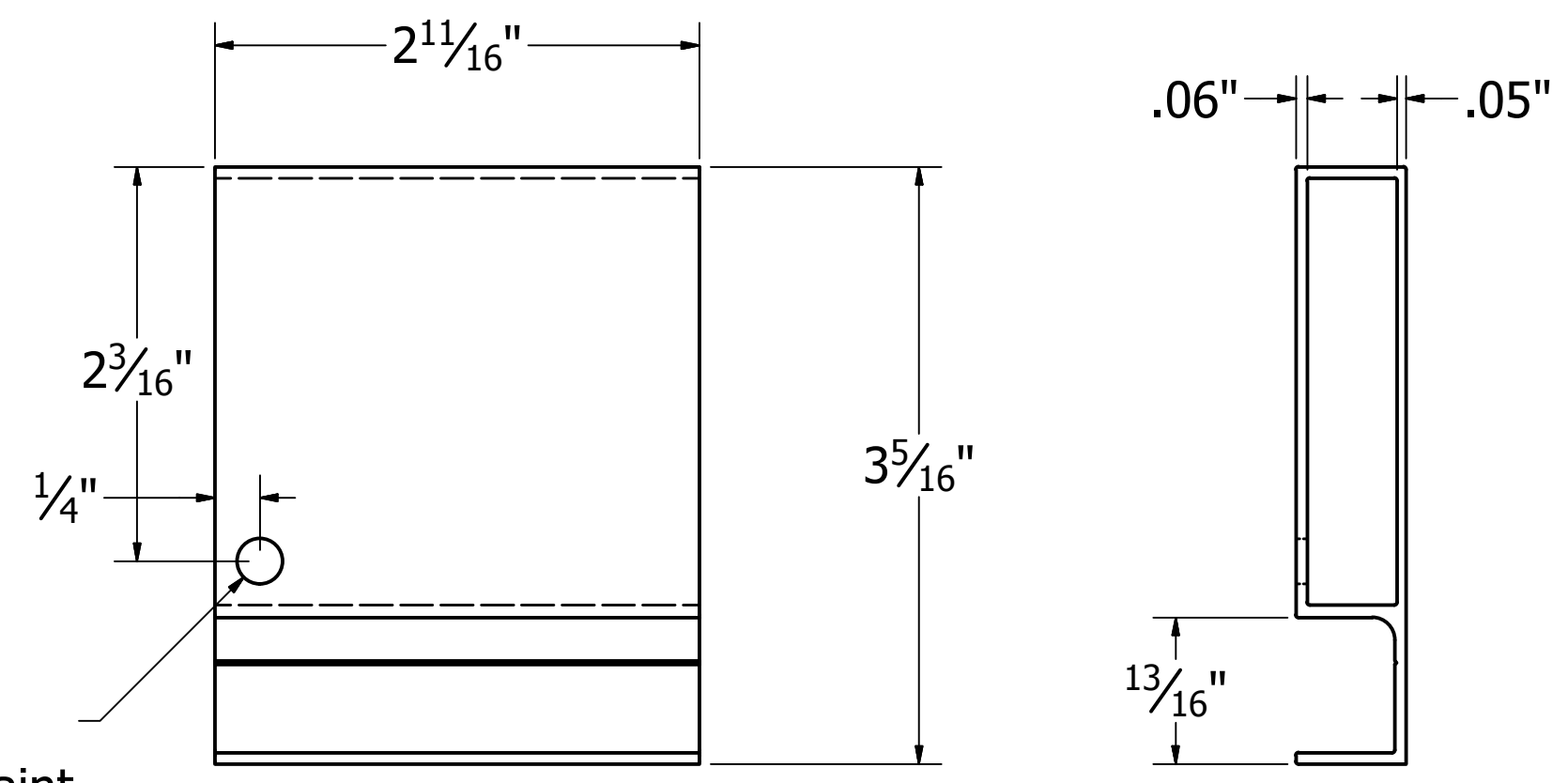
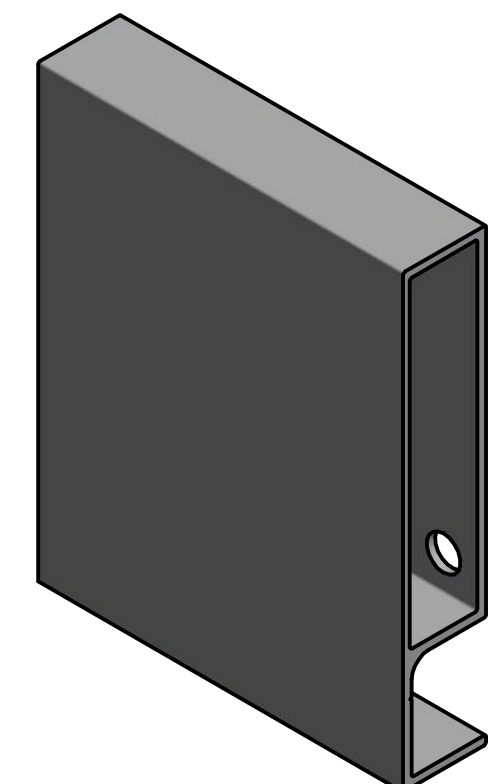
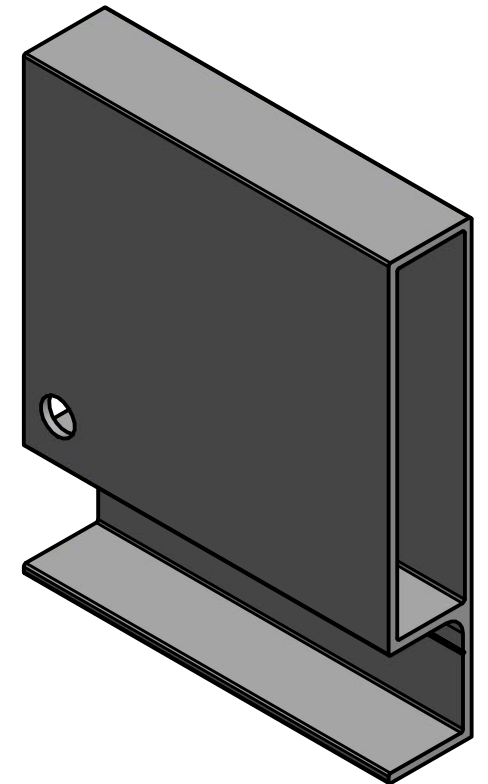


REV.	DESCRIPTION	DATE



∅1/4"
Hang hole for paint
this side only



DSI Digger
Specialties
Inc.
Transforming the Outdoor Living Experience
3446 US 6 EAST
BREMEN, IN 46506
diggerspecialties.com

WEIGHT: **.114 lbs**
STANDARD TOLERANCE:
.00 \ .01
.000 \ .005
ANG. \ .5~
FRACTIONS: ± 1/16"
DRAWN BY: **CM**
DATE DRAWN:
1/13/2016
DRAFT NO.
20160113-1C
FILE LOC: Z:\Aluminum\DSI Columns\Sq. Recessed
Columns\6 Inch\53425 Block for 6in Sq Recessed
Columns.idw

MATERIAL:
Aluminum 6063-T6
PART NAME:
53425 Block for 6in Sq Recessed
Columns.idw
PART NUMBER:
53425
REV.