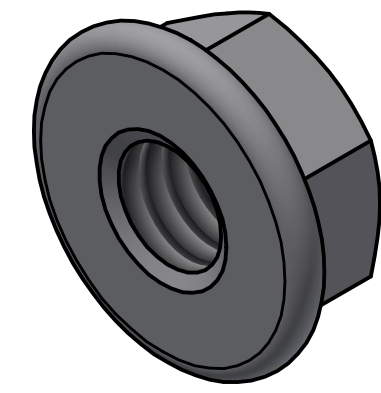
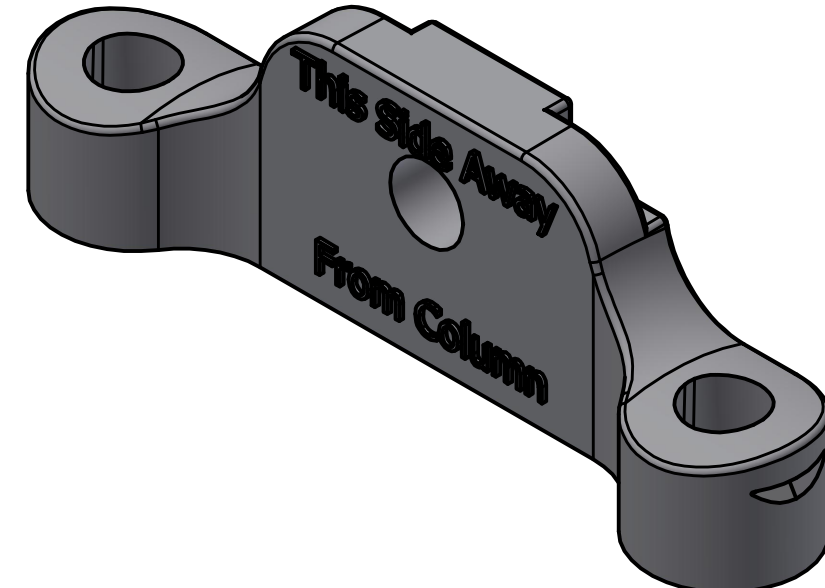


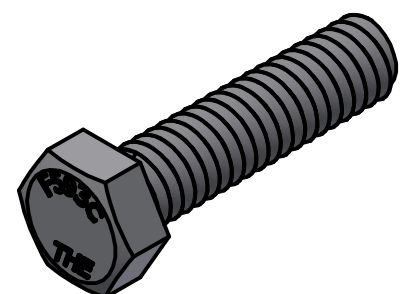
REV.	DESCRIPTION	DATE
A	Removed #55090 Washer. Replaced Nut W/#156422 Flange Nut	02/01/23



156422 Flange Nut 5_16-18
(2) required



156037
MOUNT PLN ZINC FOR COLUMN
(2) required



110865
BOLT PLN HEX SS 5/16" - 18 X 1 1/4"



DSI Digger Specialties Inc.
Transforming the Outdoor Living Experience
3446 US 6 EAST
BREMEN, IN 46506
diggerspecialties.com

WEIGHT:
STANDARD TOLERANCE:
.00 \ .01
.000 \ .005
ANG. \ .5~
FRACTIONS: ± 1/16"
DATE DRAWN:
2/1/2023
DRAFT NO.
20230201-1R
FILE LOC: Z:\Aluminum\DSI Columns\153428 & 153430 Column Mount Set & Hdw.idw

DRAWN BY: CM
MATERIAL:
Zamak 3 & Stainless Steel
PART NAME:
153428 & 153430 Column Mount Set & Hdw.idw
PART NUMBER:
153428 / 153430
REV.
A