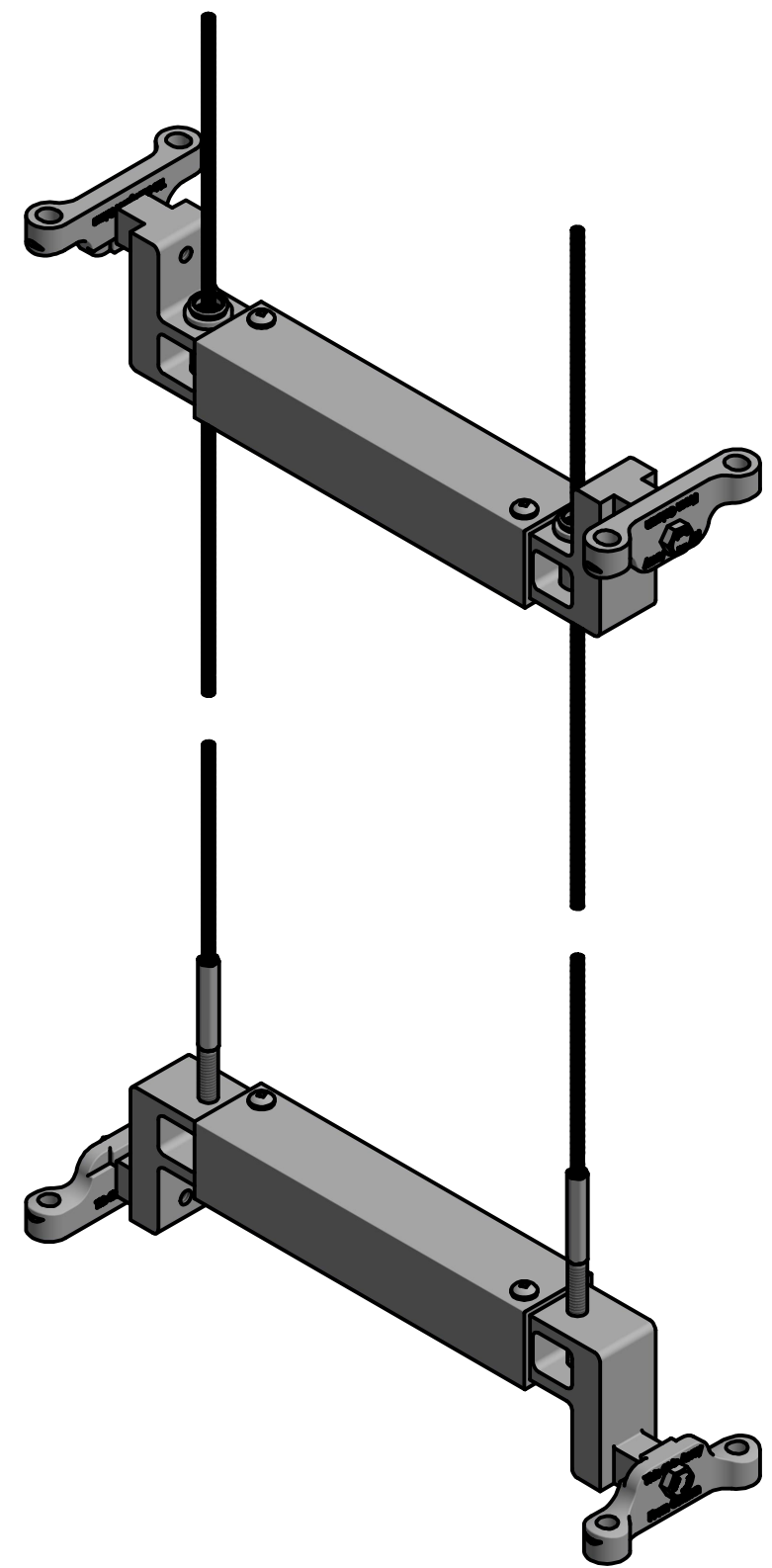
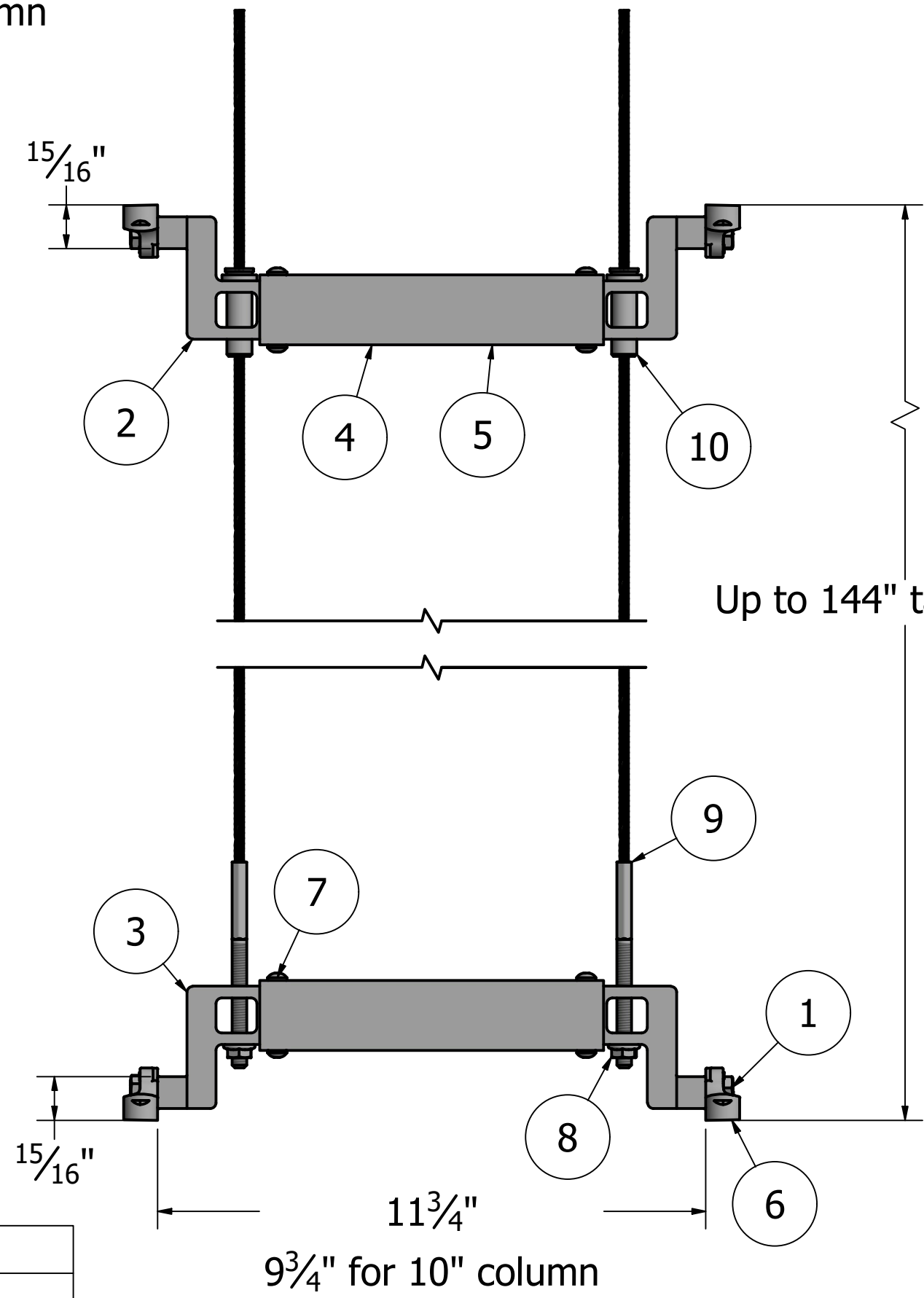
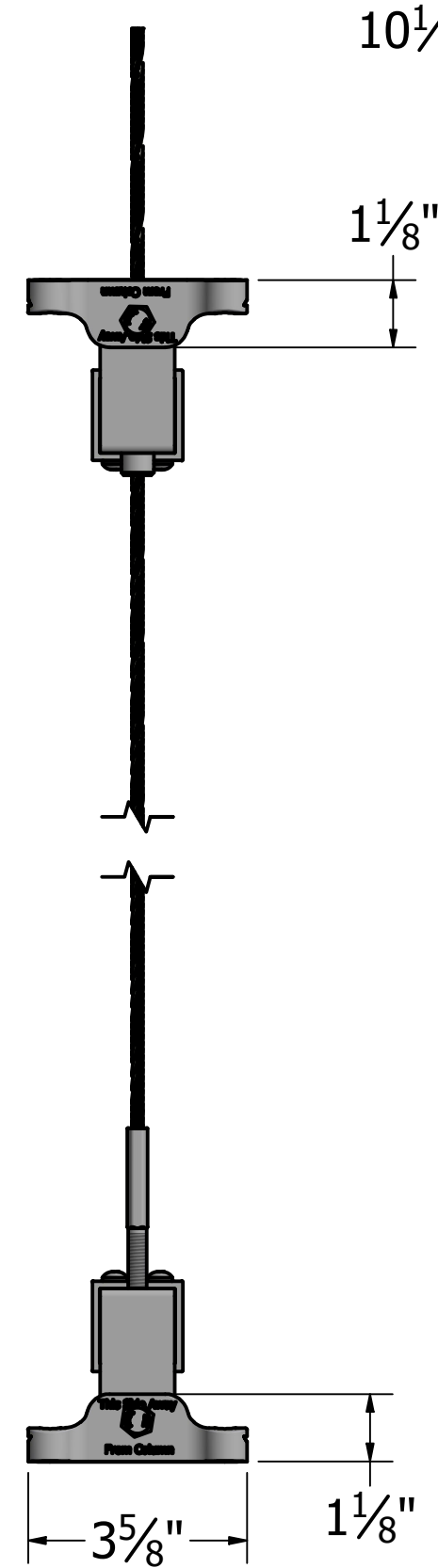
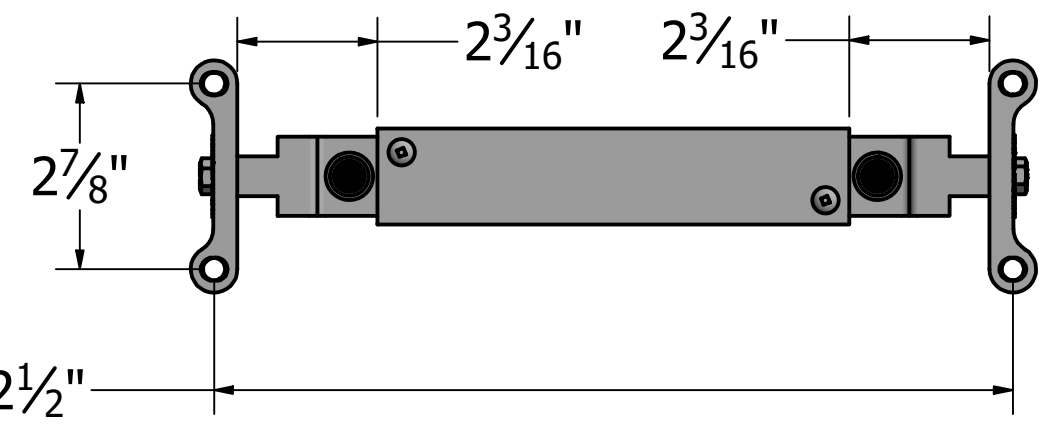


REV.	DESCRIPTION	DATE



12" Column Uplift Kit shown

PARTS LIST

ITEM	QTY	PART NUMBER	DESCRIPTION
1	4	110865ZZZ	Bolt 5_16-18 x 1 1/4 SS hex
2	2	120209PLN	Uplift Top Bracket 10_12in
3	2	120210PLN	Uplift Bottom Bracket 10_12in
4	2	120213PLN	Uplift Connector Tube 10in
5	2	120214PLN	Uplift Connector Tube 12in
6	4	156037ZZZ	Mnt Std Column
7	8	156300ZZZ	12 x 1.00 Pan Head Self Tapping
8	2	156422ZZZ	5_16-18 Serrated Flange Nut
9	2	156496ZZZ	Cable Kit 3_16in x 12ft
10	2	156497ZZZ	Cable Connector 3_16in



DSI Digger Specialties Inc.
Transforming the Outdoor Living Experience
 3446 US 6 EAST
 BREMEN, IN 46506
 diggerspecialties.com

WEIGHT:	DRAWN BY: CM	MATERIAL:
STANDARD TOLERANCE: .00 \ .01 .000 \ .005 ANG. \ .5~	DATE DRAWN: 6/18/2020	PART NAME: Column Uplift Kit 10in and 12in.idw
FRACTIONS: ± 1/16	DRAFT NO. 20200617-1C	
FILE LOC: Z:\Projects\Projects 2018\Column Uplift Connector\Components\Column Uplift Kit 10in and 12in.idw	PART NUMBER: 120204PLN	REV.