

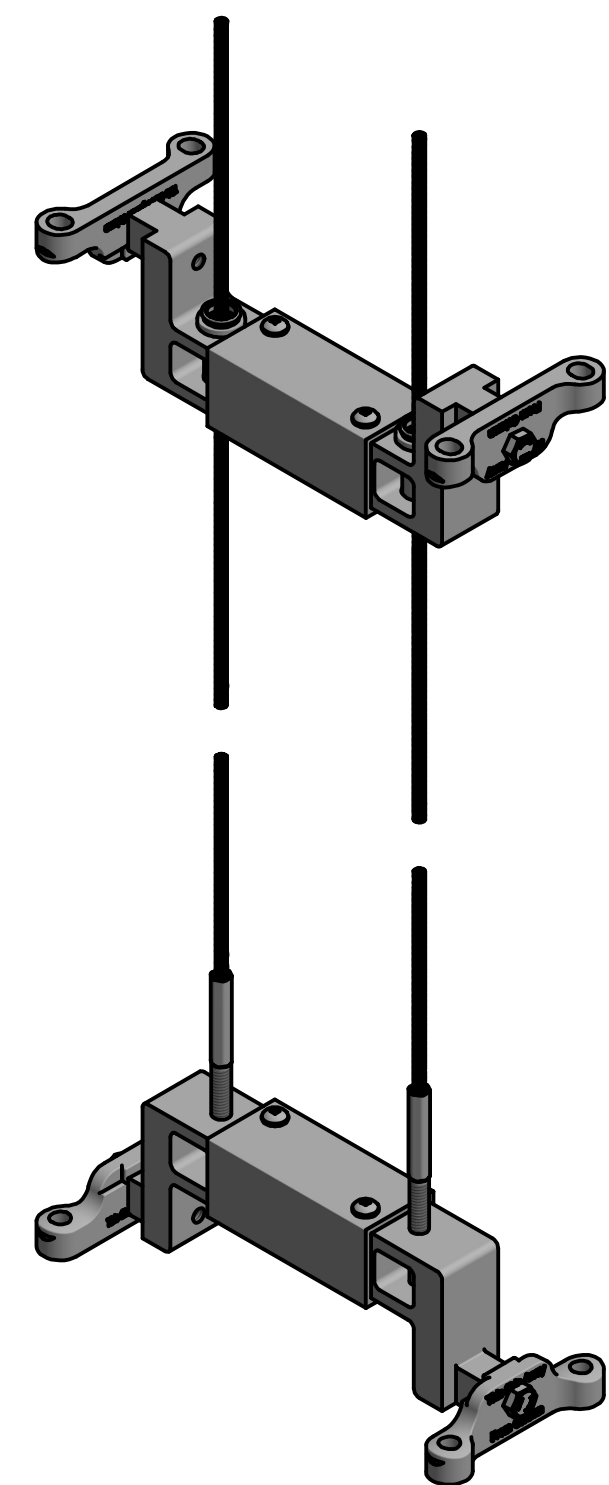
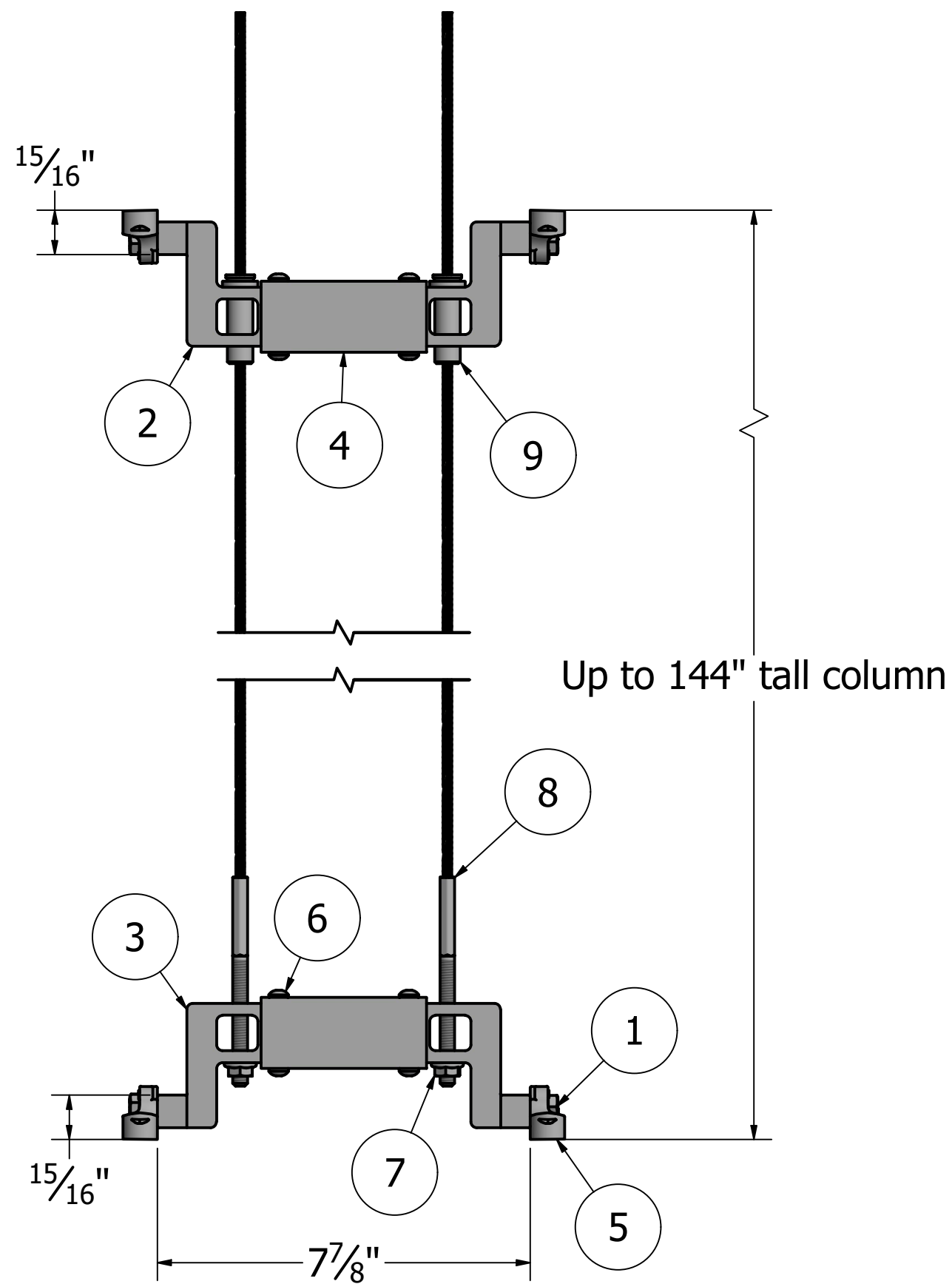
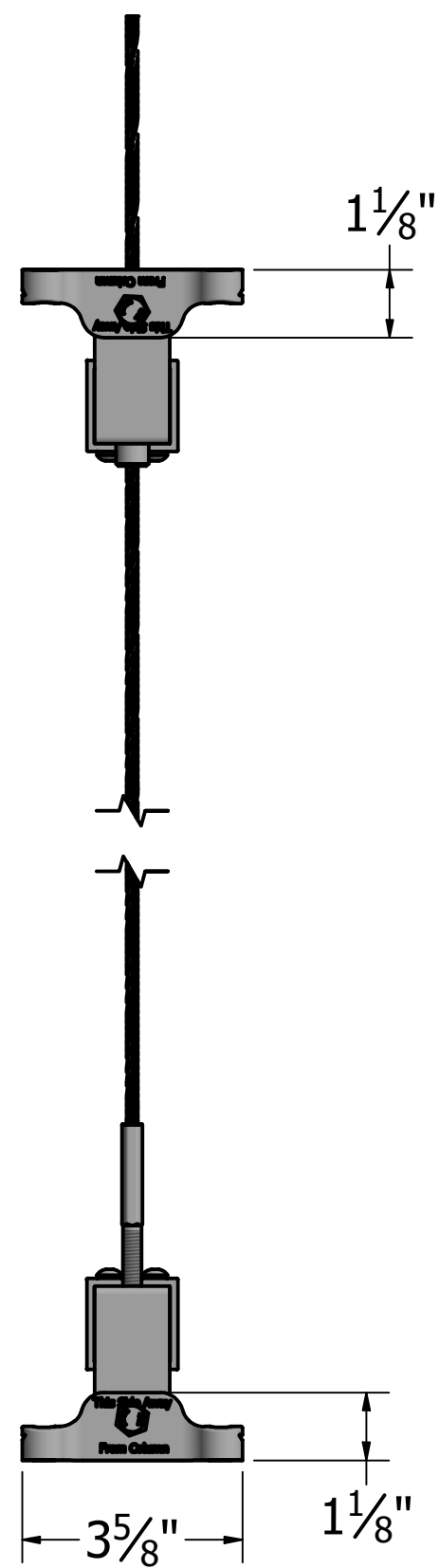
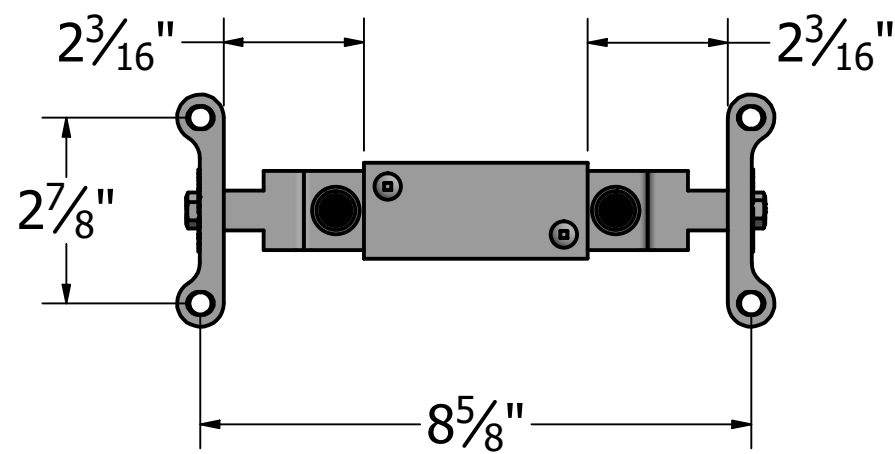
4

3

2

1

REV.	DESCRIPTION	DATE



PARTS LIST

ITEM	QTY	PART NUMBER	DESCRIPTION
1	4	110865ZZZ	Bolt 5_16-18 x 1 1/4 SS hex
2	2	120207PLN	Uplift Top Bracket 8in
3	2	120208PLN	Uplift Bottom Bracket 8in
4	2	120212PLN	Uplift Connector Tube 8in
5	4	156037ZZZ	Mnt Std Column
6	8	156300ZZZ	12 x 1.00 Pan Head Self Tapping
7	2	156422ZZZ	5_16-18 Serrated Flange Nut
8	2	156496ZZZ	Cable Kit 3_16in x 12ft
9	2	156497ZZZ	Cable Connector 3_16in



DSI Digger Specialties Inc.
Transforming the Outdoor Living Experience
 3446 US 6 EAST
 BREMEN, IN 46506
 diggerspecialties.com

WEIGHT:	DRAWN BY: CM	MATERIAL:
STANDARD TOLERANCE: .00 \ .01 .000 \ .005 ANG. \ .5~	DATE DRAWN: 6/18/2020	PART NAME: Column Uplift Kit 8in.idw
FRACTIONS: ± 1/16	DRAFT NO. 20200617-2C	
FILE LOC: Z:\Projects\Projects 2018\Column Uplift Connector\Components\Column Uplift Kit 8in.idw		PART NUMBER: 120203PLN
		REV.

4

3

4

2

1

D

D

C

C

B

B

A

A