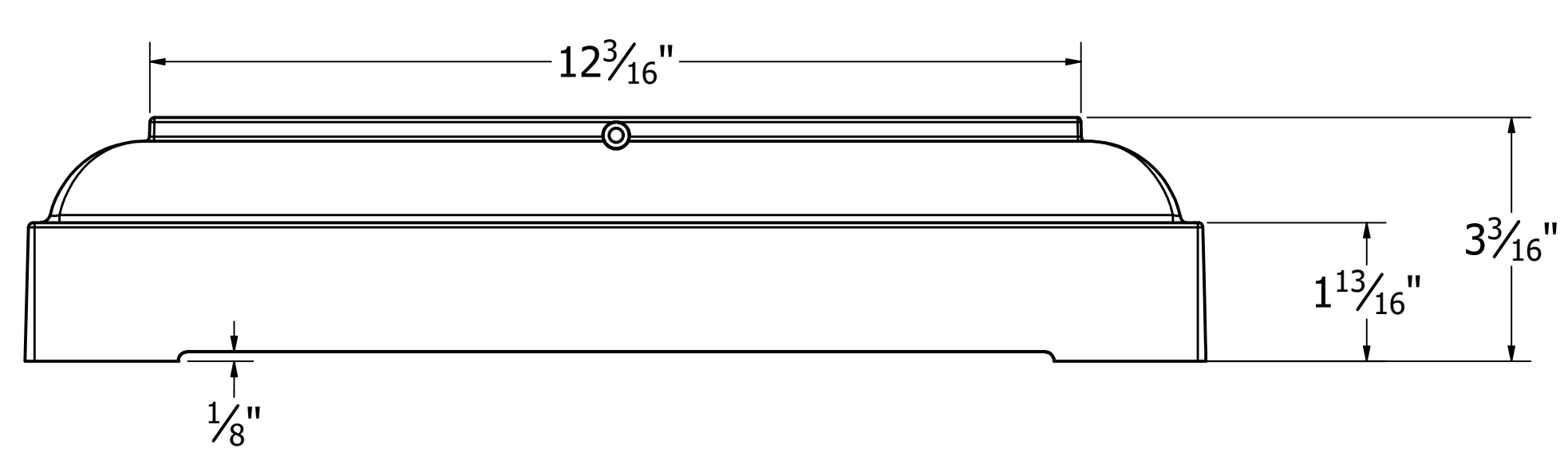
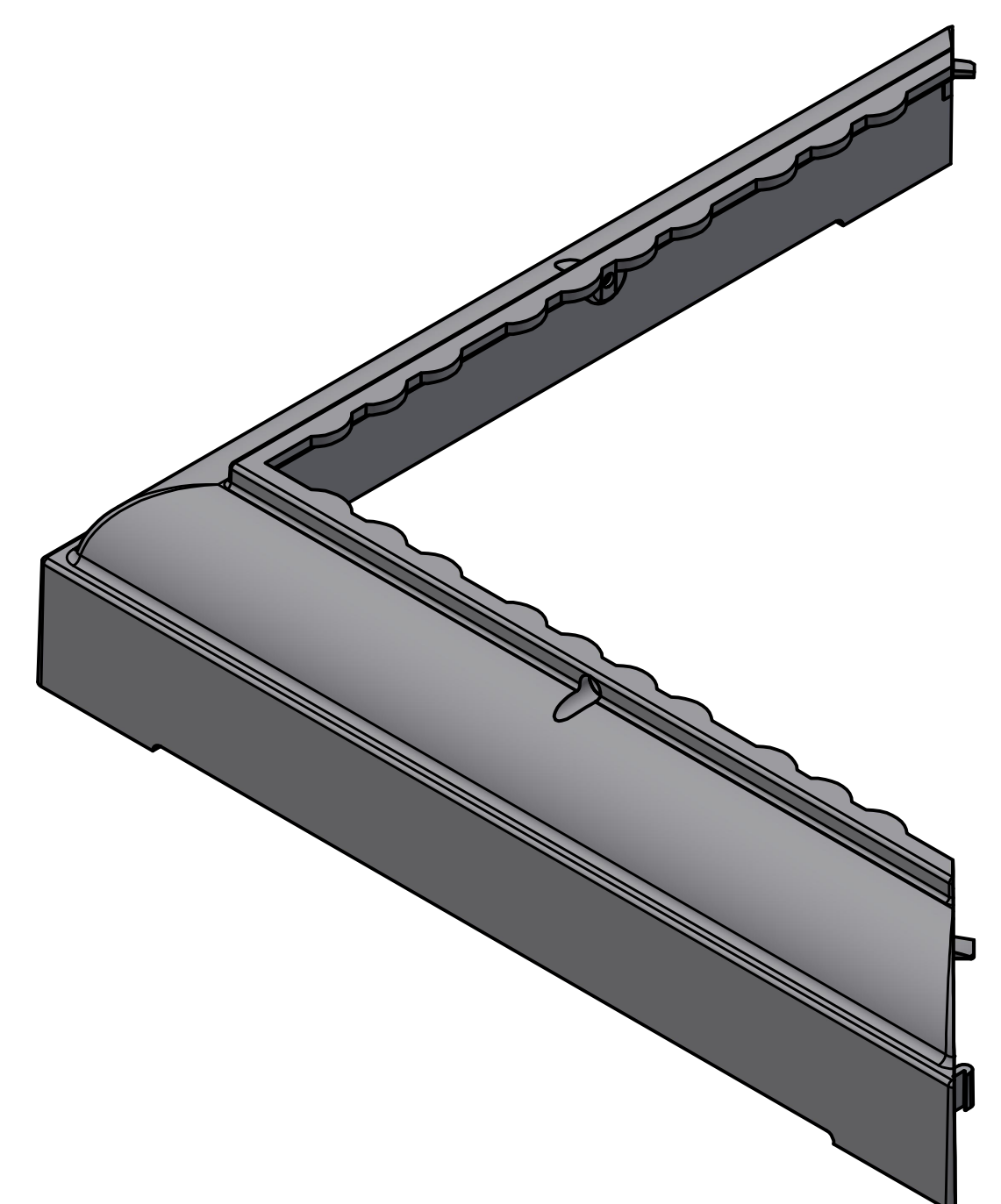
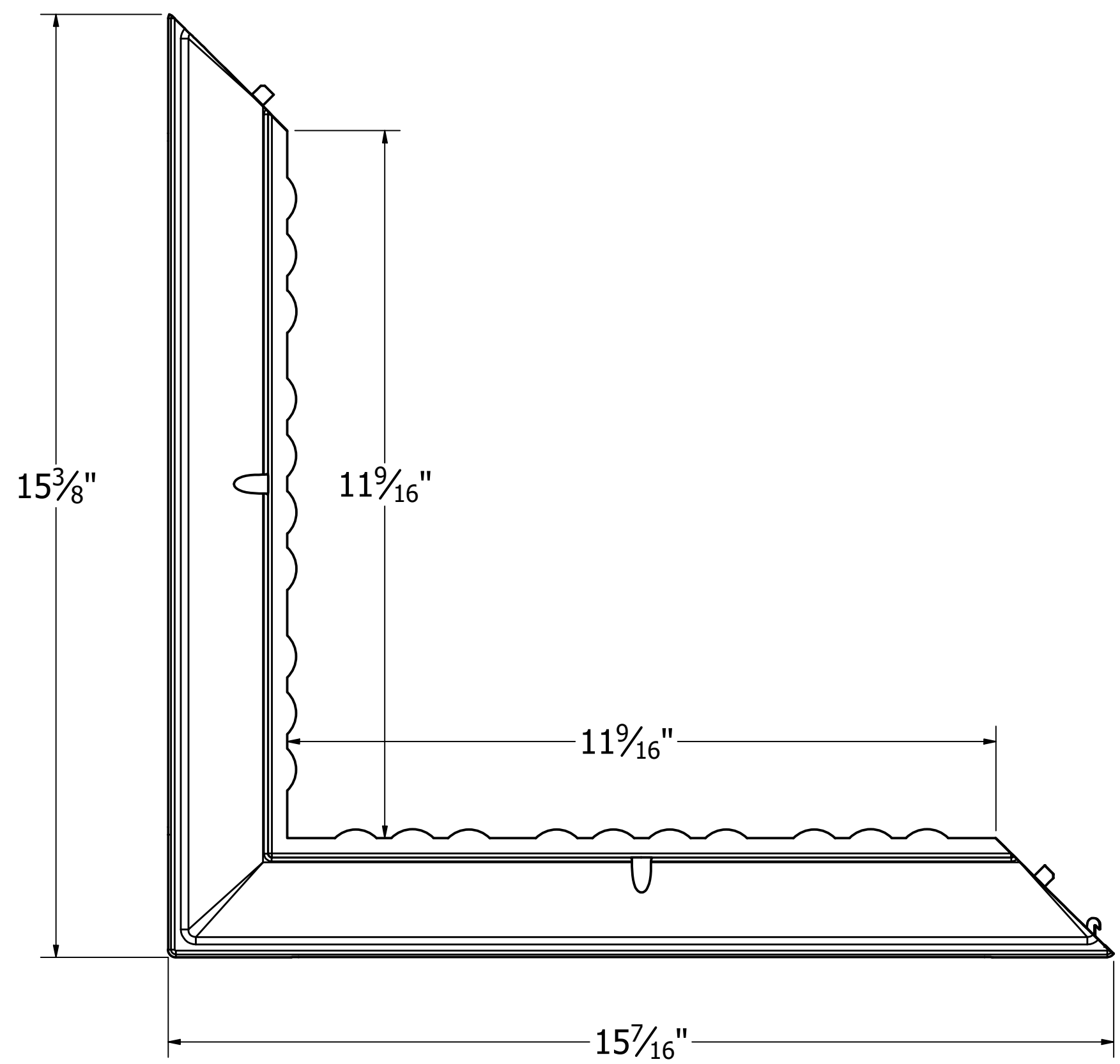


REV.	DESCRIPTION	DATE



DSI Digger Specialties Inc.
Transforming the Outdoor Living Experience
 3446 US 6 EAST
 BREMEN, IN 46506
 diggerspecialties.com

WEIGHT: 4.530 lbs	DRAWN BY: CM	MATERIAL: Zamak 3
STANDARD TOLERANCE: .00 \ .01 .000 \ .005 ANG. \ .5~	DATE DRAWN: 7/16/2021	PART NAME: 110119ZZZ 12in. Sq. Fluted Split Base.idw
FRACTIONS: $\pm \frac{1}{16}$	DRAFT NO. 20210716-4C	PART NUMBER: 110119ZZZ
FILE LOC: Z:\Aluminum\DSI Columns\Sq. Fluted Columns\12 Inch\Zinc Base\110119ZZZ 12in. Sq. Fluted Split Base.idw		REV.