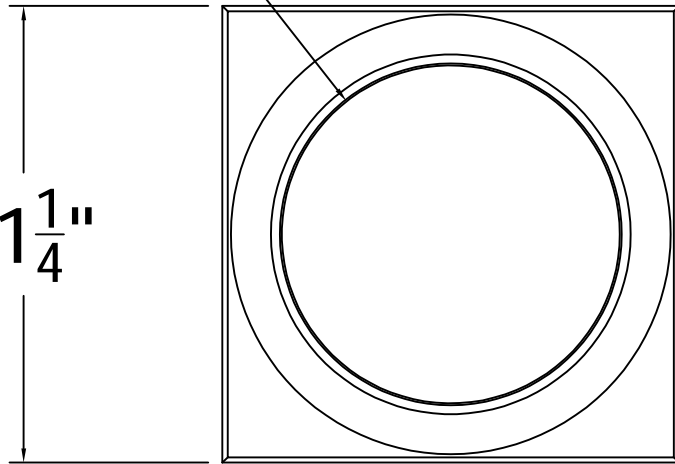
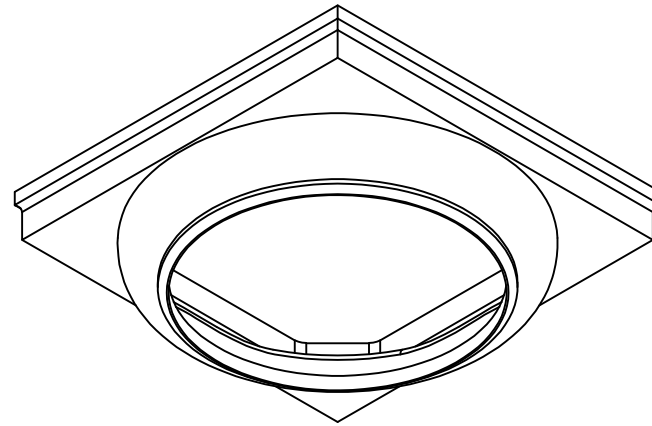


For 18" Round Tapered Columns

REV.	LOC.	REVISION	DATE

$\text{Ø}15\frac{3}{4}$ "

$21\frac{1}{4}$ "



$5\frac{3}{4}$ "

3"



3446 US 6 EAST
Bremen, IN 46506
diggerspecialties.com

DRAWN BY: EH	STYLE:	Tuscan Round Cap 18IN	REV.
DATE DRAWN: 11-05-2019	AS SHOWN:		
SCALE = 1":1"	LOC: Z:\Fiberglass\DSI Columns\18 Inch Columns\Updated Standard Drawings		
DRAFT NO.: 20191105-1E			

4

3

2

1

D

C

B

A