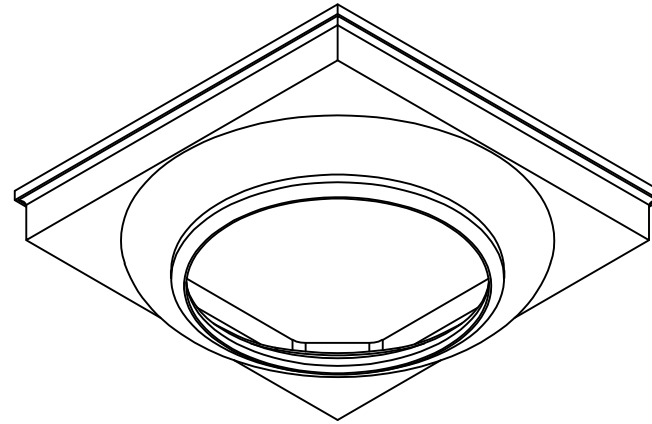
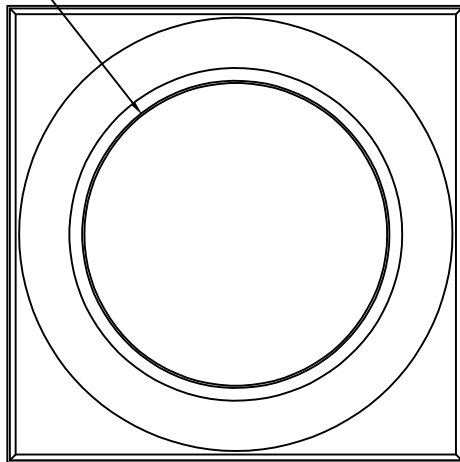


For 10" Round Tapered Columns

REV.	LOC.	REVISION	DATE

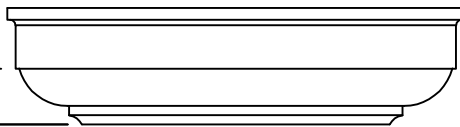
Ø8 $\frac{1}{8}$ "

12 $\frac{1}{4}$ "



3 $\frac{1}{2}$ "

1 $\frac{1}{2}$ "



3446 US 6 EAST
Bremen, IN 46506
diggerspecialties.com

DRAWN BY: EH	STYLE:	Tuscan Round Cap 10IN	REV.
DATE DRAWN: 11-04-2019	AS SHOWN:		
SCALE = 1":1"	LOC: Z:\Fiberglass\DSI Columns\10 Inch Columns\Updated Standard Drawings		
DRAFT NO.: 20191104-1E			

4

3

2

1

D

C

B

A