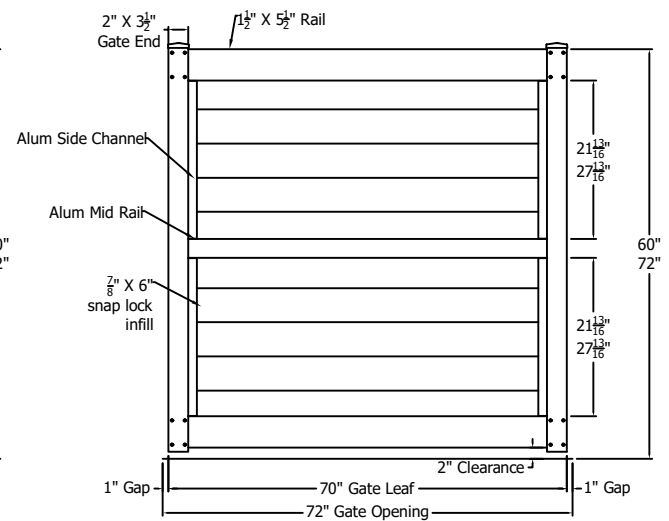
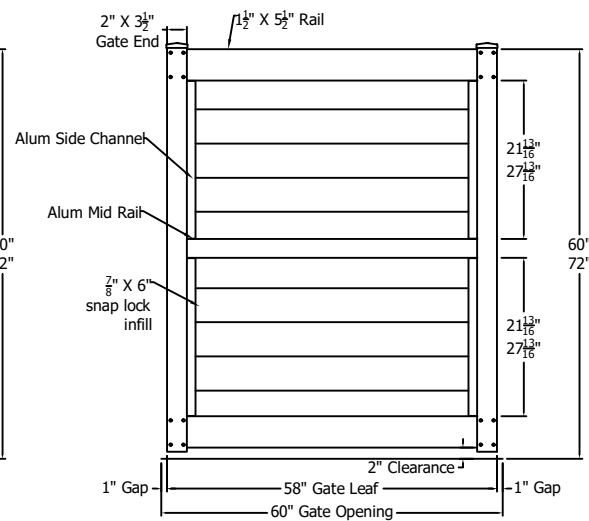
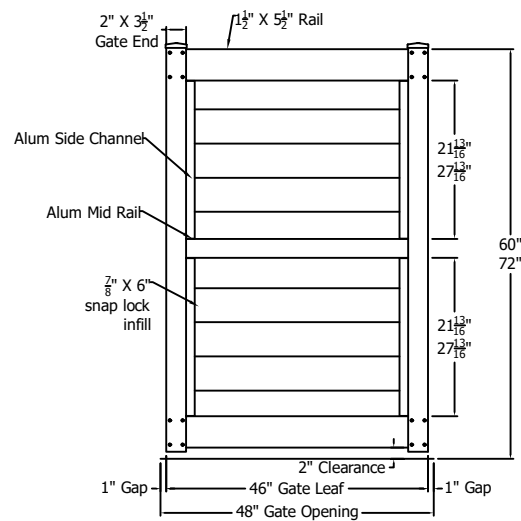




REV.	LOC.	REVISION	DATE



	 <p>Transforming the Outdoor Living Experience</p> <p>3446 US 6 EAST Bremen, IN 46506 diggerspecialties.com</p>	DATE DRAWN:	Trimax II Horizontal Fencing
		DRAWN BY: 04-15-2024	
		SCALE = 1":1"	AS SHOWN: 72" T
		DRAFT NO.: 20240415-1E	LOC: Z:\Vinyl\Polyvinyl Fence

4

3

2

1

D

C

B

A