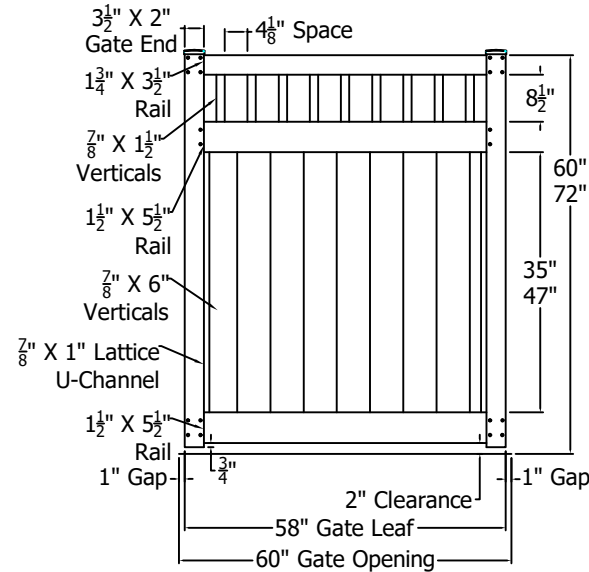
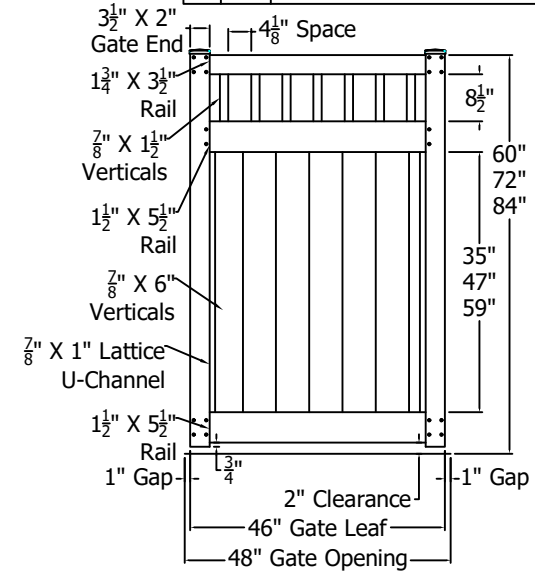
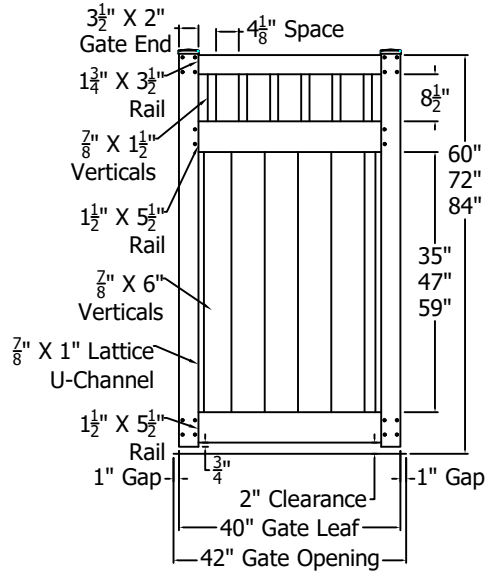
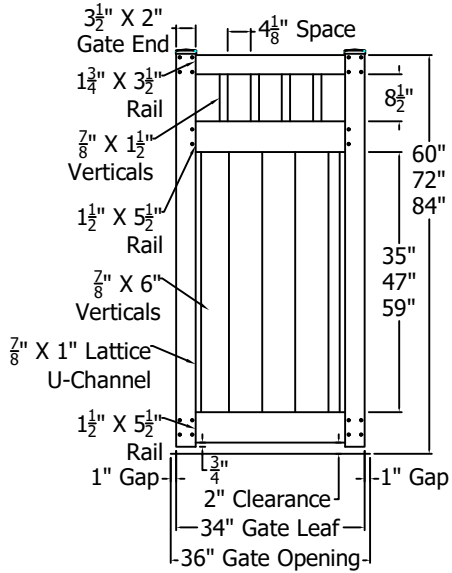




Rails And Gate Ends Reinforced With Aluminum
 60" Wide Gate Not Available In 84" Tall

REV.	LOC.	REVISION	DATE
A		Verticals To $\frac{7}{8}$ " X 6"	7/10/23



	 <p>Transforming the Outdoor Living Experience™</p> <p>3446 US 6 EAST Bremen, IN 46506 diggerspecialties.com</p>	DRAWN BY: EH	STYLE:
		DATE DRAWN: 05-18-2022	Tri-Max II With Topper Standard Gates
		SCALE = 1":1"	AS SHOWN: 72" T
		DRAFT NO.: 20220518-1E	LOC: Z:\Vinyl\Polyvinyl Fence\Tri-Max II\Updated Standard Drawings
			REV. A