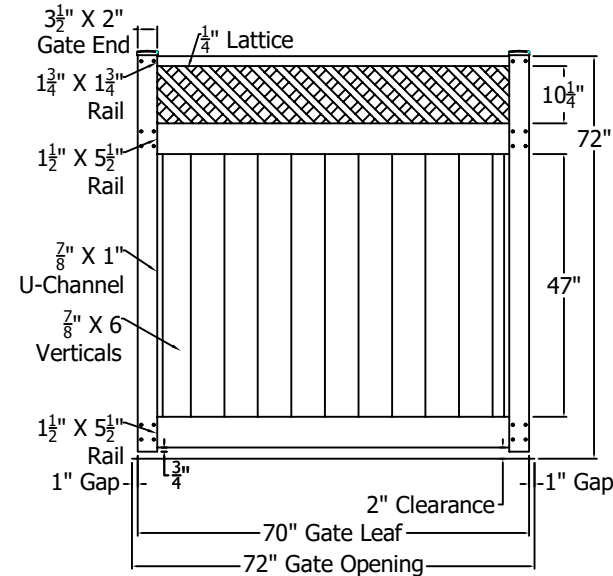
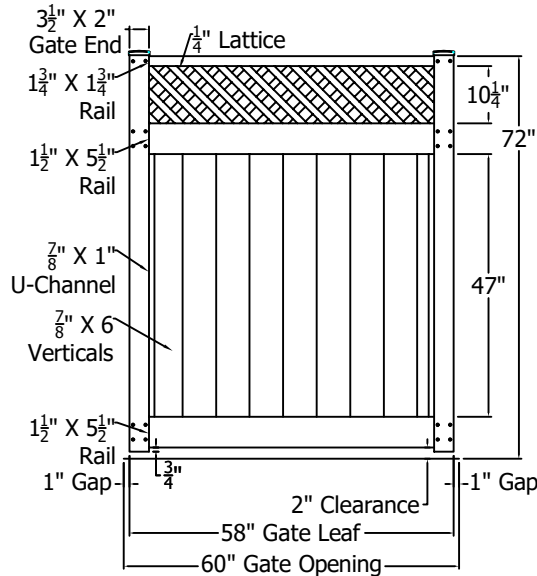
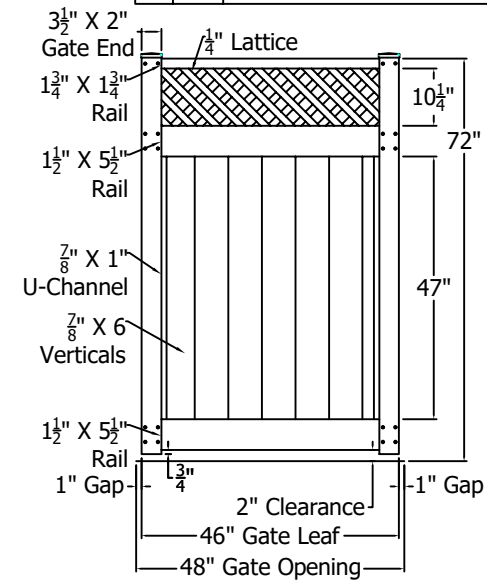
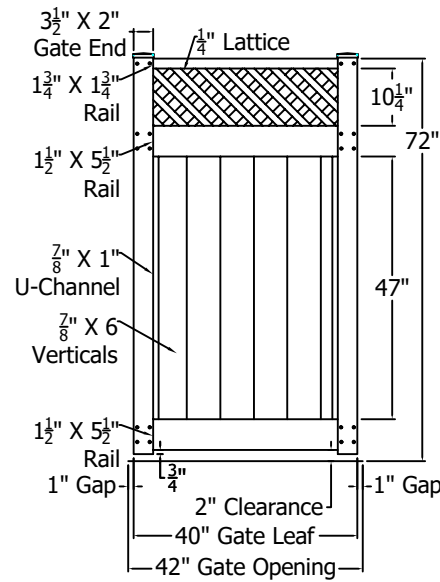
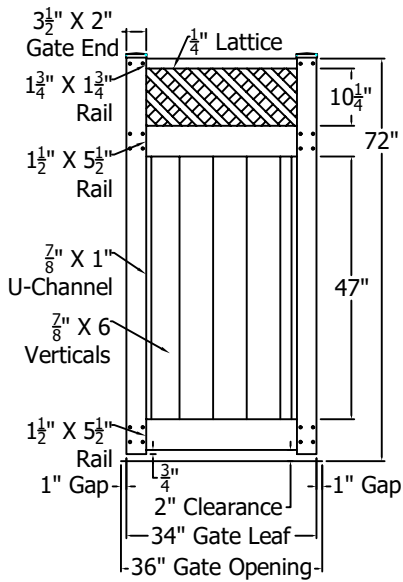


Rails And Gate Ends Reinforced With Aluminum

REV.	LOC.	REVISION	DATE



DSI Digger Specialties Inc.
 Transforming the Outdoor Living Experience™
 3446 US 6 EAST
 Bremen, IN 46506
 diggerspecialties.com

DRAWN BY: EH
 DATE DRAWN: 04-15-2022
 SCALE = 1"=1"
 DRAFT NO.: 20220415-1E

STYLE: **Tri-Max II With Lattice Standard Gates**
 AS SHOWN:
 LOC: Z:\Vinyl\Polyvinyl Fence\Tri-Max II\Updated Standard Drawings
 REV. **A**