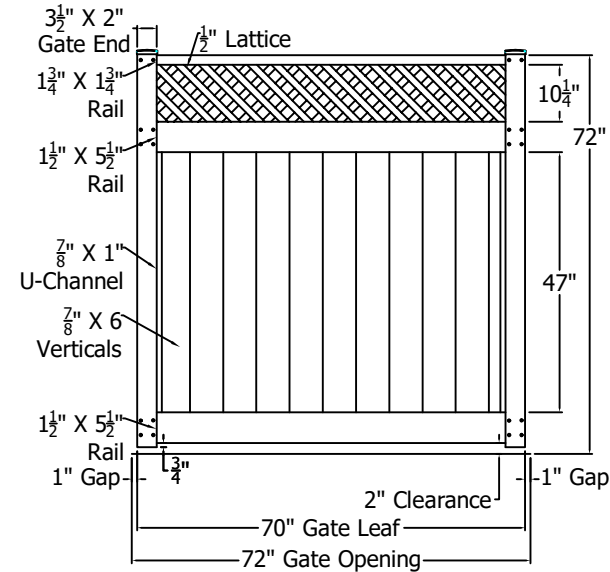
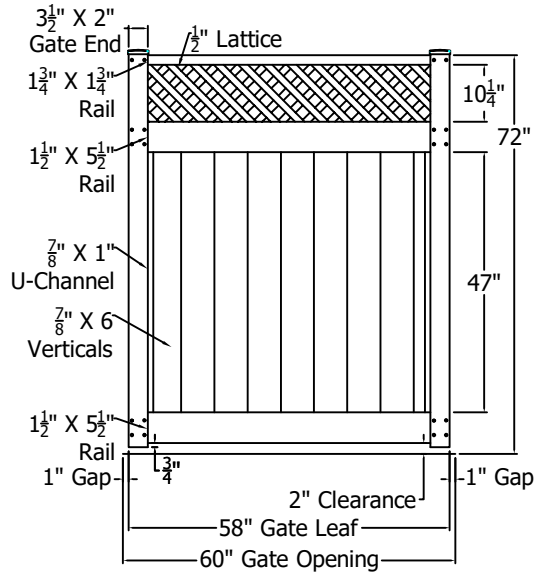
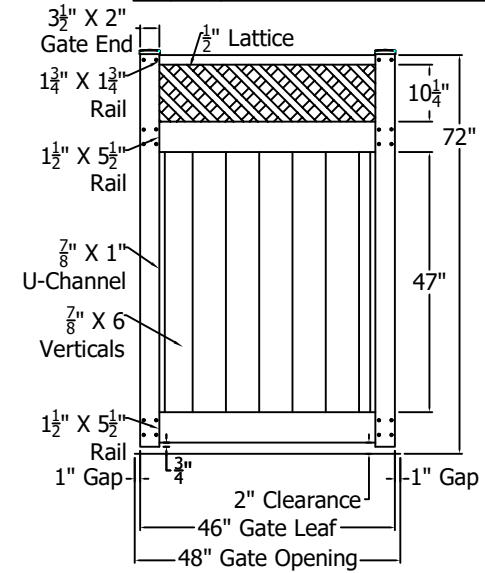
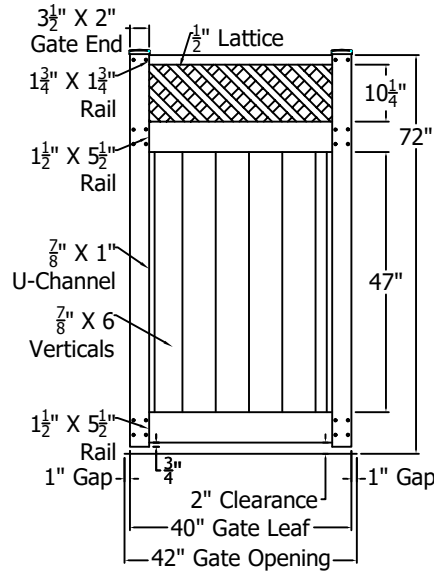
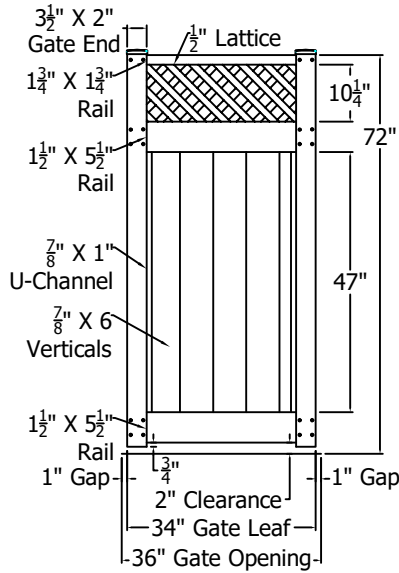


Rails And Gate Ends Reinforced With Aluminum

REV.	LOC.	REVISION	DATE
A		Changed Lattice Thickness	12/9/24



<p>Polyvinyl VINYL FENCING</p>	<p>DSI Digger Specialties Inc. Transforming the Outdoor Living Experience™ 3446 US 6 EAST Bremen, IN 46506 diggerspecialties.com</p>	DRAWN BY: EH	STYLE:
		DATE DRAWN: 12-09-2024	Tri-Max II With Lattice Standard Gates
		SCALE = 1":1"	AS SHOWN:
		DRAFT NO.: 20241209-1E	LOC: Z:\Vinyl\Polyvinyl Fence\Tri-Max II\Updated Standard Drawings