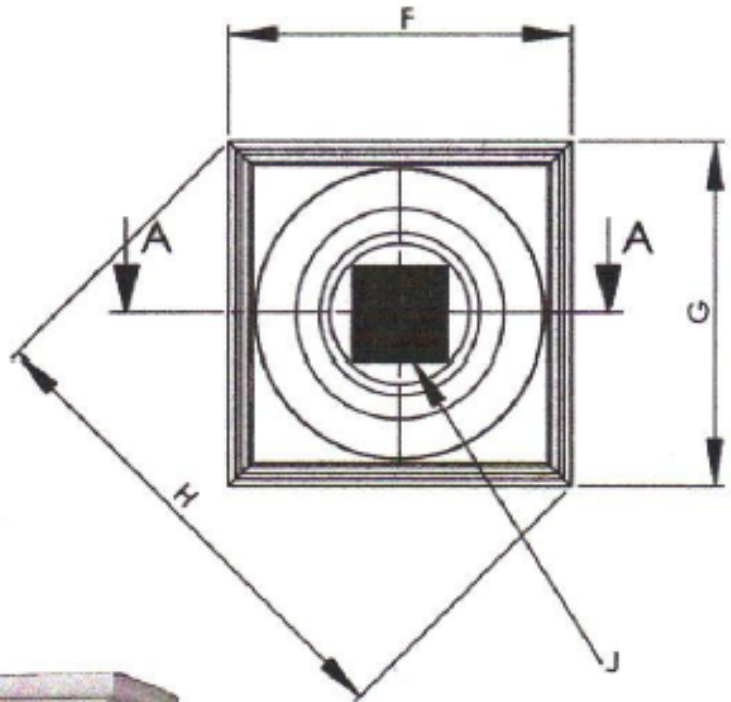


SECTION A-A



ABBREVIATED ISOMETRIC VIEW



TYPICAL TEMPLE OF THE WINDS CAPITAL

NOTES:

1. MATERIAL: FIBERGLASS REINFORCED POLYMER (FRP)
2. CORNERS OF 6"x6" LUMBER MAY HAVE TO BE CHAMFERED.

Capital Size	Height	Plug Height	Inside Diameter	Plug Diameter	Outside Diameter	Width	Width	Diagonal	Load Bearing 4"x4" Lumber	Load Bearing 6"x6" Lumber	Load Bearing 6" Steel I-Beam	Weight
	A	B	C	D	E	F	G	H	J	J	J	
8"	7 3/8"	2/3"	4 1/4"	5"	6 5/8"	10 1/8"	10 1/8"	14 1/8"	No	No	No	10 Lbs
10"	10 1/4"	3/4"	5 4/9"	6 3/4"	8 1/5"	13 1/2"	13 1/2"	19 1/2"	Yes	No	No	23 Lbs
12"	13"	2/3"	7 5/8"	8 5/8"	10 3/8"	16 1/4"	16 1/4"	23"	Yes	No	No	30.5 Lbs
14"	14 1/2"	3/4"	8 1/8"	9 5/8"	11 2/3"	20 5/8"	20 5/8"	29 5/8"	Yes	No	No	50 Lbs
16"	16"	1 3/8"	8 1/2"	9 1/2"	14"	22 5/8"	22 5/8"	31 5/8"	Yes	No	No	95 Lbs
18"	18"	1 1/2"	12 1/2"	14"	15 1/2"	26"	26"	38"	Yes	Yes	Yes	130 Lbs

DRAWN	Bryan Daniels	4/28/2016
CHECKED		
QA		
MFG		
APPROVED		



DSI Digger Specialties Inc.
Transforming the Outdoor Living Experience



Westbury
COLUMNS

TITLE
Temple of the Winds Capital

DIMENSIONS ARE IN INCHES
TOLERANCE: ± 1/4"

SIZE	A	DWG NO	TW33xxx	REV	03
SCALE	NTS		SHEET 1 OF 1		