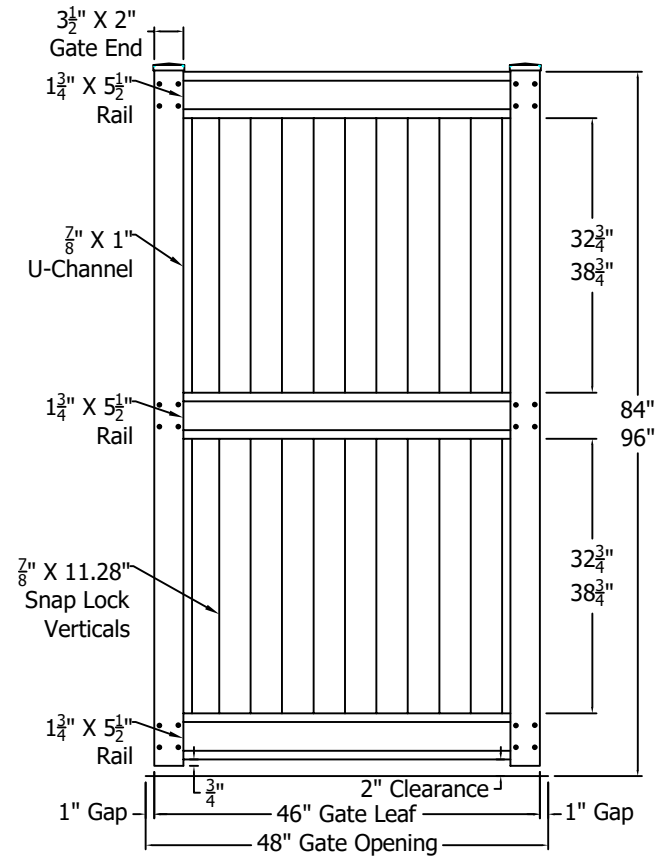
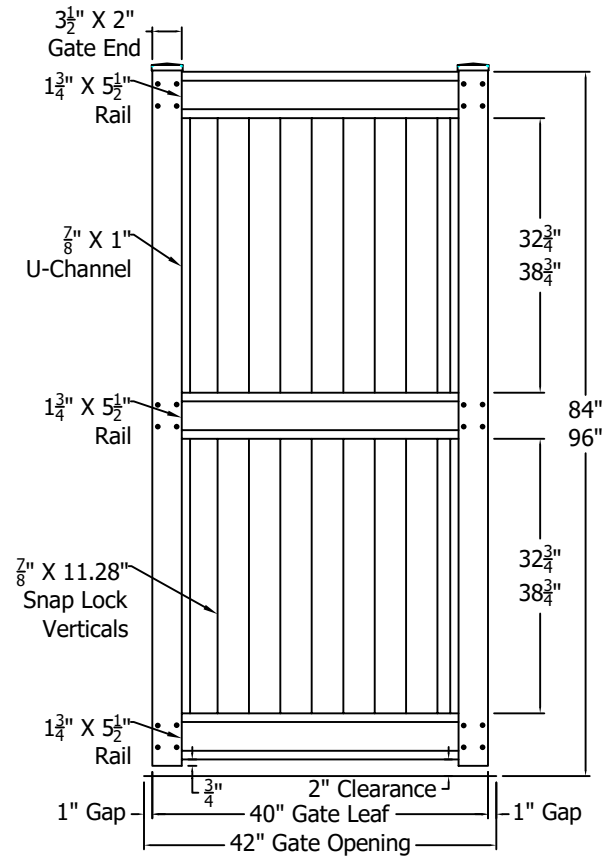
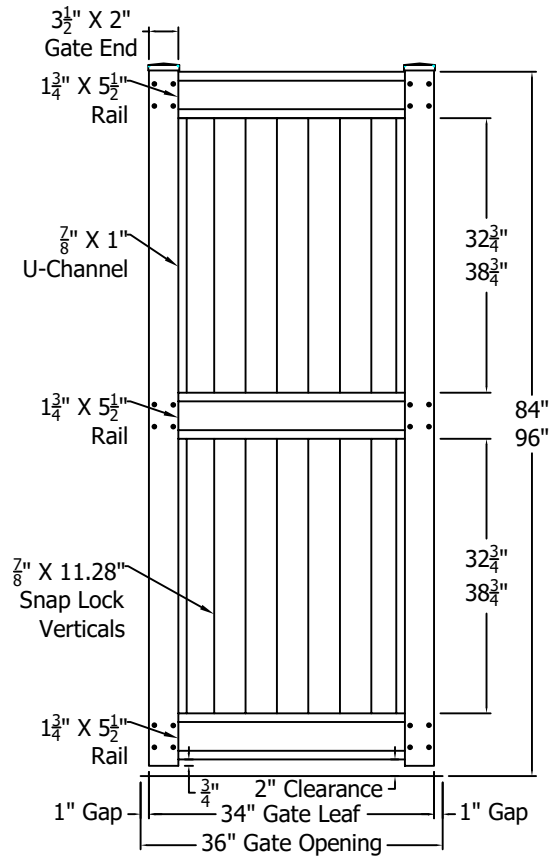




Rails And Gate Ends Reinforced With Aluminum

REV.	LOC.	REVISION	DATE



 <p>Polyvinyl VINYL FENCING</p>	 <p>DSI Digger Specialties Inc. Transforming the Outdoor Living Experience™</p> <p>3446 US 6 EAST Bremen, IN 46506 diggerspecialties.com</p>	DRAWN BY: EH DATE DRAWN: 04-15-2022	STYLE: Superior Standard Gates
		SCALE = 1":1"	AS SHOWN: 84" T
		DRAFT NO.: 20220415-1E	LOC: Z:\Vinyl\Polyvinyl Fence\Superior\Updated Standard Drawings
		REV. A	REV. A

4

3

2

1

D

C

B

A