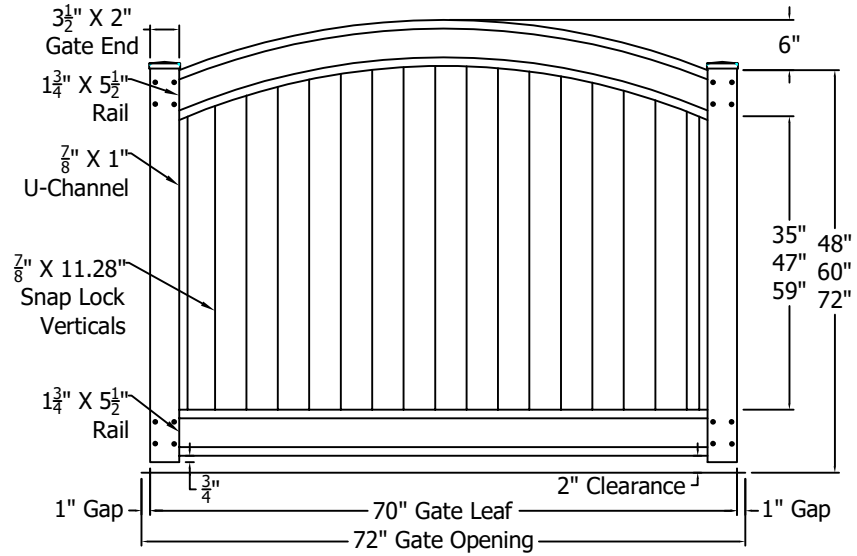
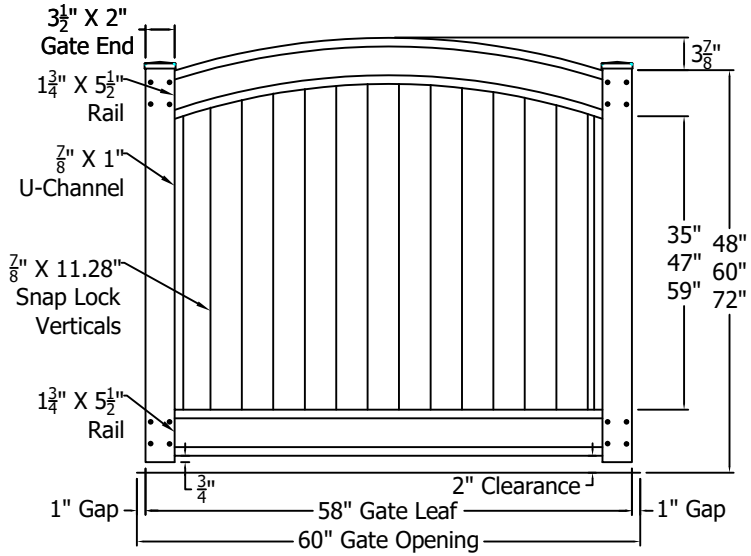
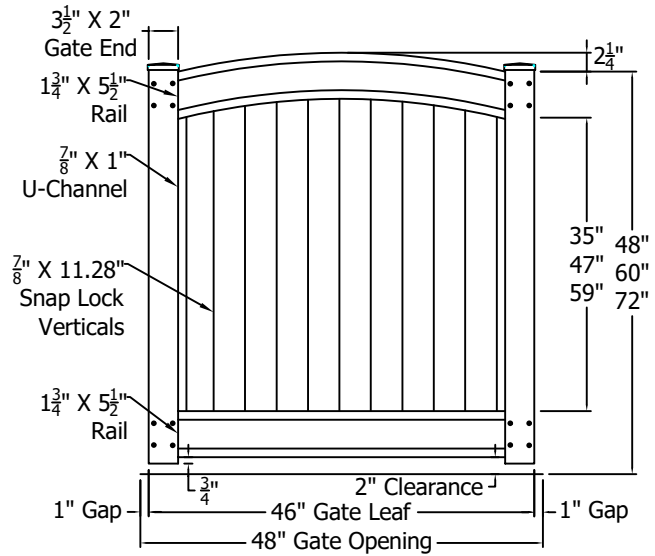




Rails And Gate Ends Reinforced With Aluminum

REV.	LOC.	REVISION	DATE



 <p><b>Polyvinyl</b> VINYL FENCING</p>	 <p><b>Digger Specialties Inc.</b> Transforming the Outdoor Living Experience™</p> <p>3446 US 6 EAST Bremen, IN 46506 diggerspecialties.com</p>	DRAWN BY: EH DATE DRAWN: 04-15-2022	STYLE: <b>Superior Convex Standard Gates</b>
		SCALE = 1":1"	AS SHOWN: 48" T
		DRAFT NO.: 20220415-1E	LOC: Z:\Vinyl\Polyvinyl Fence\Superior\Updated Standard Drawings
		REV. A	REV. A