

2



1

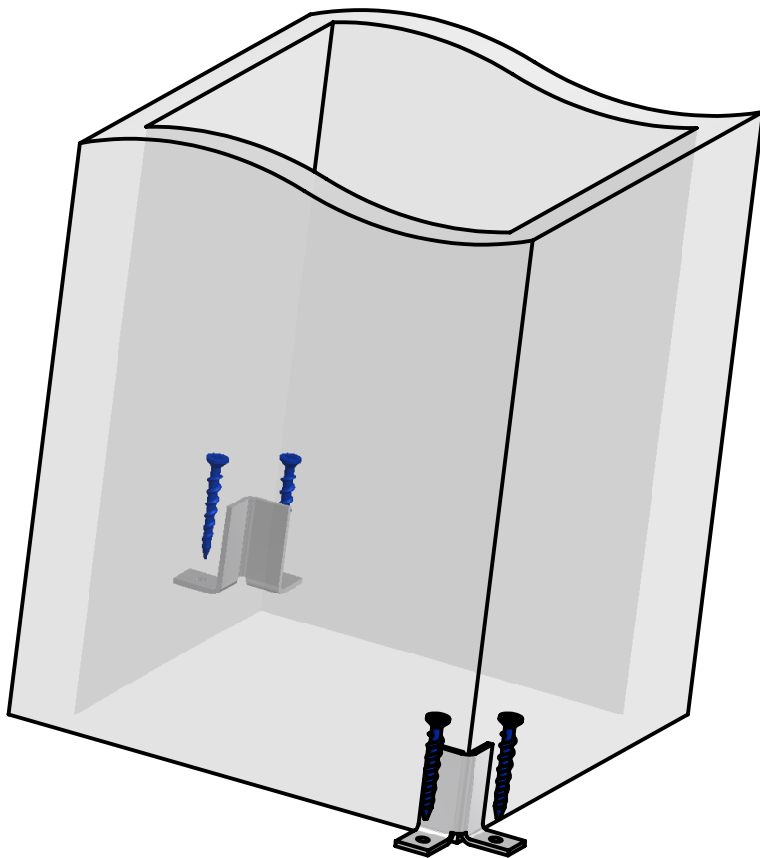
Installation Instructions:

1. Place (2) brackets on bottom of post as illustrated.
2. Use construction adhesive (not included) to adhere the bracket to the post.
3. Drill 5/32" pilot holes through the bracket into the substrate. (Drill bit not included.)
4. Fasten bracket with the supplied screws.
5. Repeat steps for top of post.

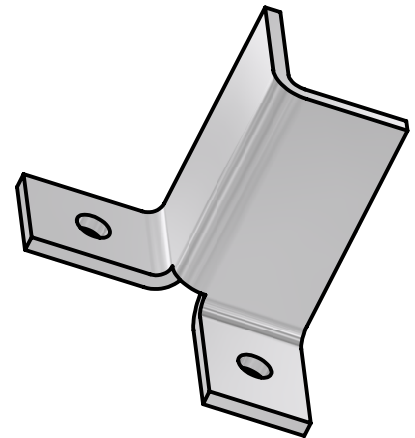
Brackets are not a wind uplift device

B

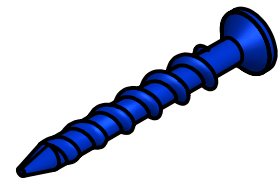
B



INSTALLATION EXAMPLE





SQUARE MOUNTING BRACKET
(4 INCLUDED)



TAPCON 3/16 x 1 3/4 SCREW
(8 INCLUDED)

A

A

DRAWN	Bryan Daniels	5/19/2016	 Transforming the Outdoor Living Experience®					
CHECKED								
QA			TITLE Fiberglass Column Square Bracket Kit					
MFG								
APPROVED								
DIMENSIONS ARE IN INCHES TOLERANCE: ± 1/4"			SIZE	A	DWG NO	Square Bracket Kit	REV	01
			SCALE	NTS	SHEET 1 OF 1			

2



1