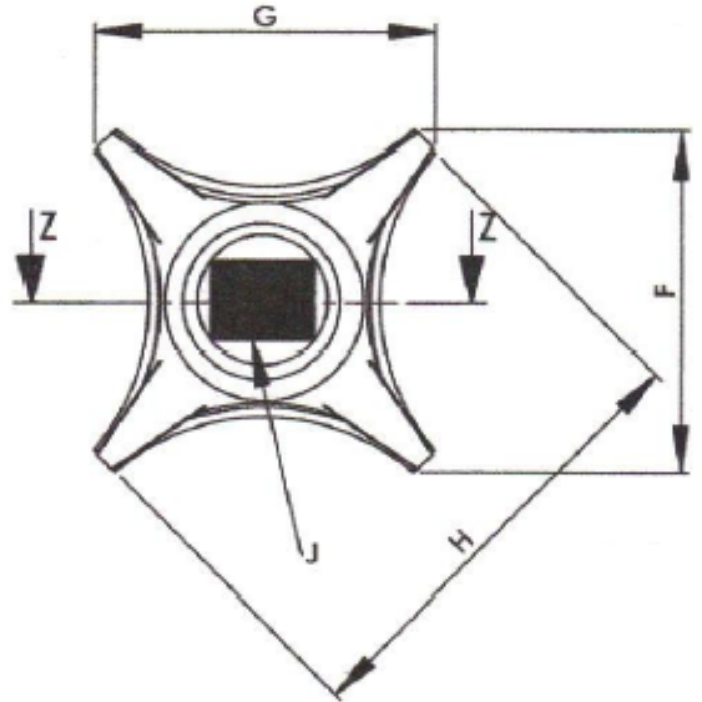
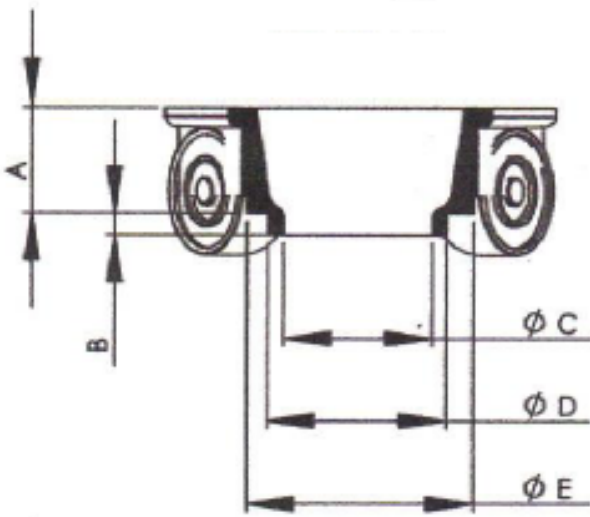


2



1

SECTION Z-Z



TYPICAL SCAMOZZI CAPITAL

NOTES:

1. MATERIAL: FIBERGLASS REINFORCED POLYMER (FRP)
2. CORNERS OF 4"x4" LUMBER MAY HAVE TO BE CHAMFERED.
3. CORNERS OF 6"x6" LUMBER MAY HAVE TO BE CHAMFERED.

Capital Size	Height	Plug Height	Inside Diameter	Plug Diameter	Outside Diameter	Width	Width	Diagonal	Load Bearing 4"x4" Lumber	Load Bearing 6"x6" Lumber	Load Bearing 6" Steel I-Beam	Weight
	A	B	C	D	E	F	G	H	J	J	J	
8"	3 1/8"	3/4"	4 1/5"	4 7/8"	6 1/2"	9 5/8"	9 5/8"	12 7/8"	Note 2	No	No	10 Lbs
10"	3 3/4"	3/4"	5 1/4"	6 3/8"	8 3/4"	11 7/8"	11 7/8"	18 1/2"	Yes	No	No	20 Lbs
12"	4 7/8"	3/4"	7"	7 7/8"	9 3/4"	15 1/2"	15 1/2"	19 7/8"	Yes	Note 3	No	31 Lbs
14"	5 1/2"	1 3/8"	8 3/4"	10 1/4"	12 1/4"	18 3/8"	18 3/8"	24 1/4"	Yes	Yes	Yes	63 Lbs
16"	6"	1 1/3"		12"	14"	20"	20"	27 1/2"				105 Lbs
18"	7 1/8"	7/8"	12 1/4"	13 7/8"	15 1/2"	24"	24"	31"	Yes	Yes	Yes	120 Lbs

DRAWN Bryan Daniels

4/28/2016

CHECKED

QA

MFG

APPROVED



Digger Specialties Inc.

Transforming the Outdoor Living Experience™



TITLE

Scamozzi Capital

SIZE A

DWG NO

SC32xx

REV
03DIMENSIONS ARE IN INCHES
TOLERANCE: ± 1/4"

SCALE

NTS

SHEET 1 OF 1

2



1