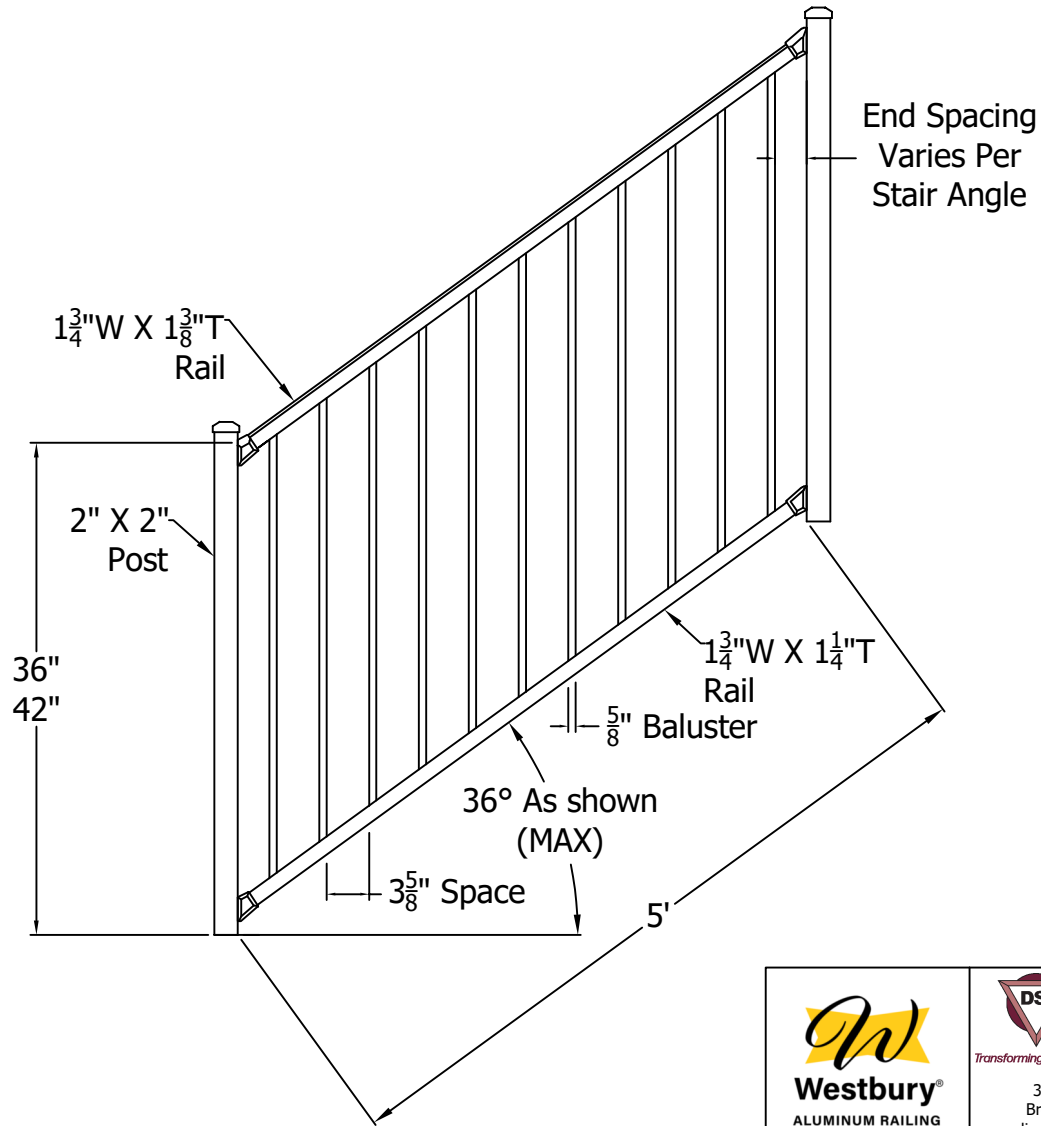




NOTE: Shown As Standard Stair Section

REV.	LOC.	REVISION	DATE



	 <p>3446 US 6 EAST Bremen, IN 46506 diggerspecialties.com</p>	DRAWN BY: EH	STYLE:	A
		DATE DRAWN: 03-13-2020	S10 Stair Section 60W	
		SCALE = 1":1"	AS SHOWN: 42" T	
		DRAFT NO.: 20200313-1E	LOC: Z:\Aluminum\Westbury\S10 Liberty\Updated Standard Drawings	

4

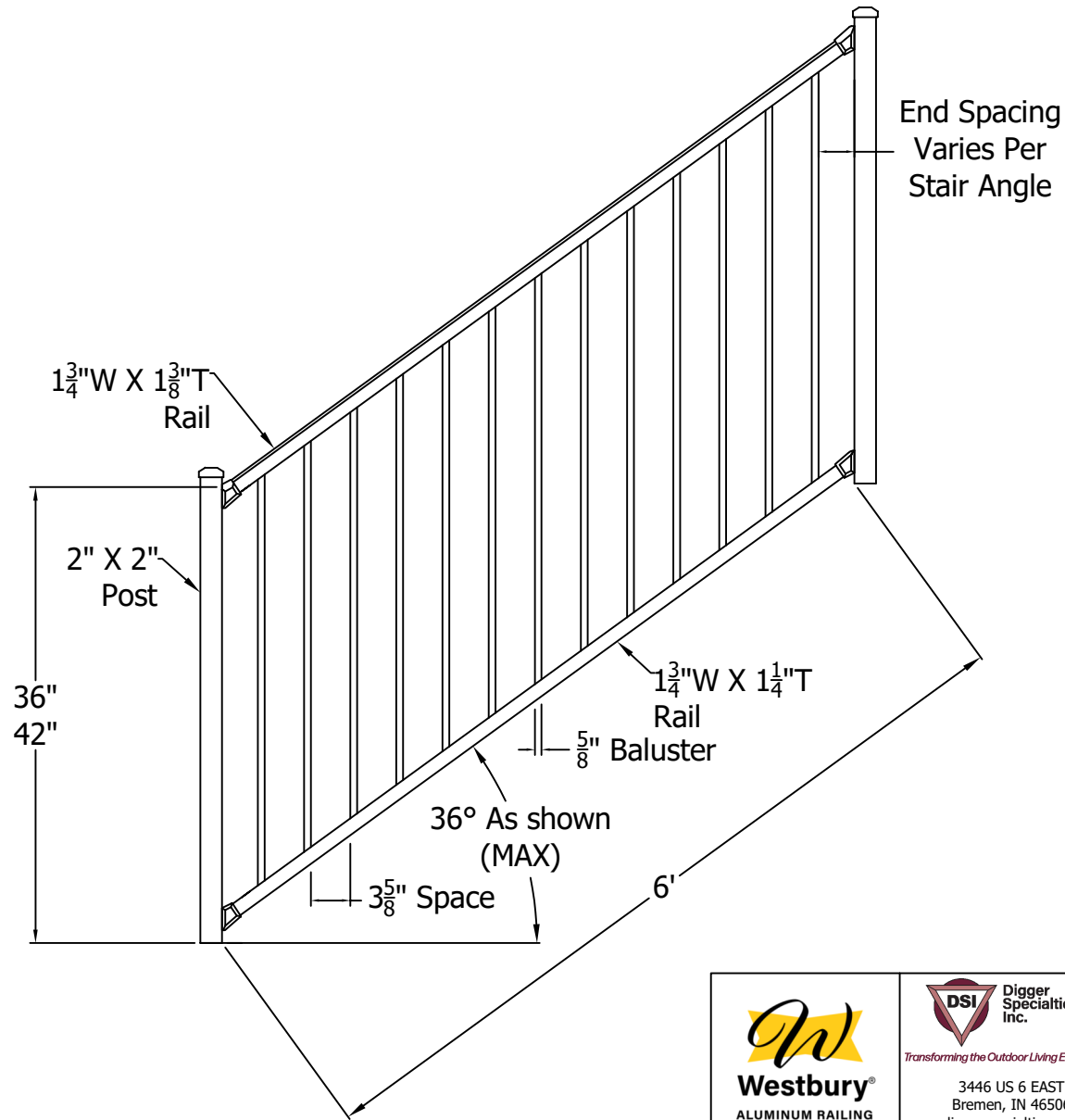
3



2

1

NOTE: Shown As Standard Stair Section

REV.	LOC.	REVISION	DATE



	 <p>3446 US 6 EAST Bremen, IN 46506 diggerspecialties.com</p>	DRAWN BY: EH	STYLE:	A
		DATE DRAWN: 03-13-2020	S10 Stair Section 72W	
		SCALE = 1":1"	AS SHOWN: 42" T	
		DRAFT NO.: 20200313-1E	LOC: Z:\Aluminum\Westbury\S10 Liberty\Updated Standard Drawings	

4

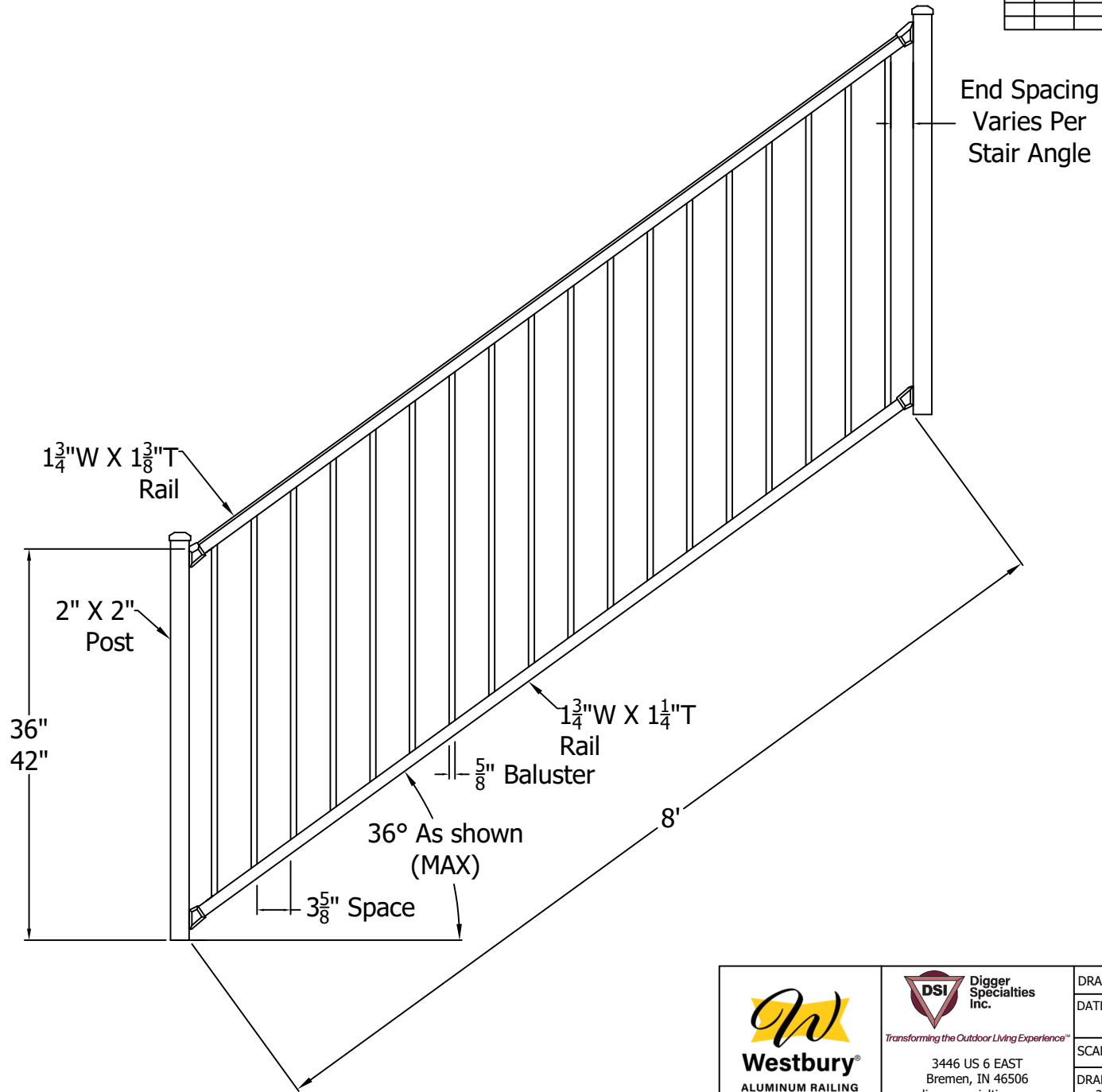
3

2

1

NOTE: Shown As Standard Stair Section

REV.	LOC.	REVISION	DATE



End Spacing
Varies Per
Stair Angle

1 3/4"W X 1 3/8" T
Rail

2" X 2"
Post

36"
42"



1 3/4"W X 1 1/4" T
Rail

5/8" Baluster

36° As shown
(MAX)

3 5/8" Space

8'

	 <p>3446 US 6 EAST Bremen, IN 46506 diggerspecialties.com</p>	DRAWN BY: EH	STYLE:	A
		DATE DRAWN: 03-13-2020	S10 Stair Section 96W	
		SCALE = 1":1"	AS SHOWN: 42" T	
		DRAFT NO.: 20200313-1E	LOC: Z:\Aluminum\Westbury\S10 Liberty\Updated Standard Drawings	

4

3

2

1