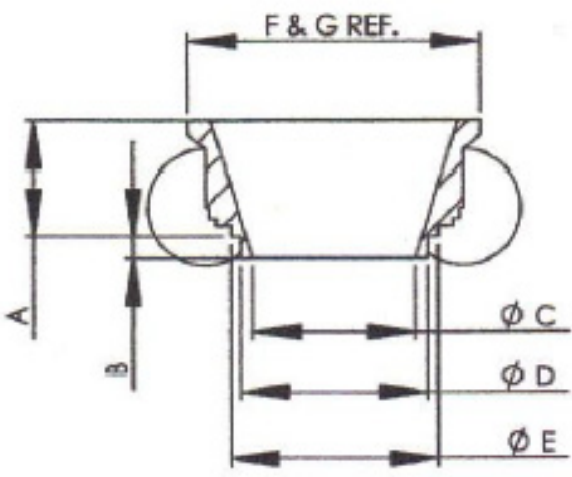
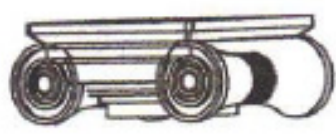
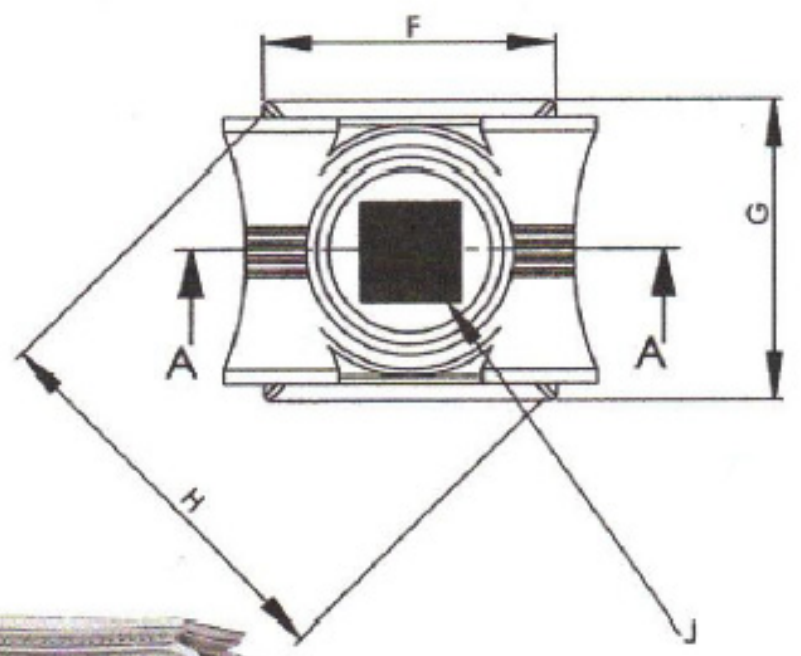


2

1



SECTION A-A



ABBREVIATED ISOMETRIC VIEW




TYPICAL ROMAN IONIC


- NOTES:**
1. MATERIAL: FIBERGLASS REINFORCED POLYMER (FRP)
 2. CORNERS OF 4"x4" LUMBER MAY HAVE TO BE CHAMFERED.
 3. CORNERS OF 6"x6" LUMBER MAY HAVE TO BE CHAMFERED.

Capital Size	Height A	Plug Height B	Inside Diameter C	Plug Diameter D	Outside Diameter E	Width F	Width G	Diagonal H	Load Bearing 4"x4" Lumber J	Load Bearing 6"x6" Lumber J	Load Bearing 6" Steel I-Beam J	Weight
8"	3 1/8"	3/4"	4 1/8"	5"	6 1/2"	7 3/4"	7 3/4"	11"	Note 2	No	No	7 Lbs
10"	4 1/4"	3/4"	5 3/4"	6 1/2"	8 1/2"	10 1/2"	10 1/2"	15"	Yes	No	No	21 Lbs
12"	5"	3/4"	7 1/4"	8 1/4"	10"	12 3/8"	12 3/8"	17 1/4"	Yes	No	No	33 Lbs
14"	5 1/2"	3/4"	8 1/2"	9 1/2"	11 3/4"	16 3/8"	16 3/8"	21 1/2"	Yes	Note 3	No	40 Lbs
16"	6"	3/4"	8 1/2"	12 1/4"	11 3/4"	16 3/8"	16 3/8"	23"	Yes	Note 3	No	95 Lbs
18"	7 1/2"	1 3/8"	11 7/8"	13 7/8"	15 1/2"	19 1/8"	19 1/8"	27 1/2"	Yes	Yes	Yes	118 Lbs

DRAWN	Bryan Daniels	4/28/2016
CHECKED		
QA		
MFG		
APPROVED		
DIMENSIONS ARE IN INCHES TOLERANCE: ± 1/4"		



DSI
Digger
Specialties
Inc.
Transforming the Outdoor Living Experience



Westbury
COLUMNS

TITLE		
Roman Ionic Capital		
SIZE A	DWG NO	REV
SCALE	RI31xx	03
NTS	SHEET 1 OF 1	

2

1