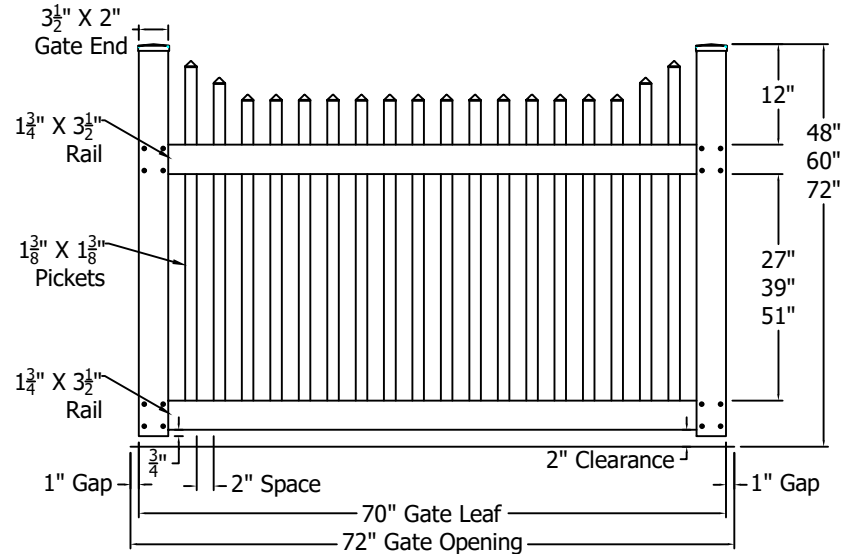
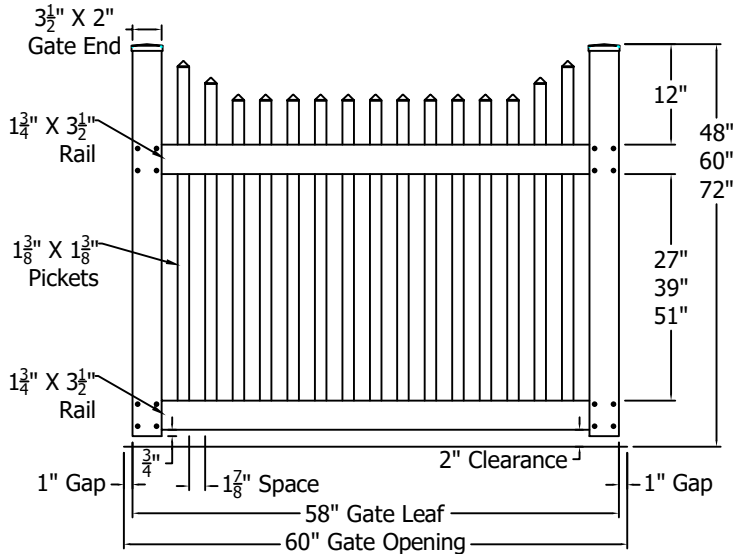
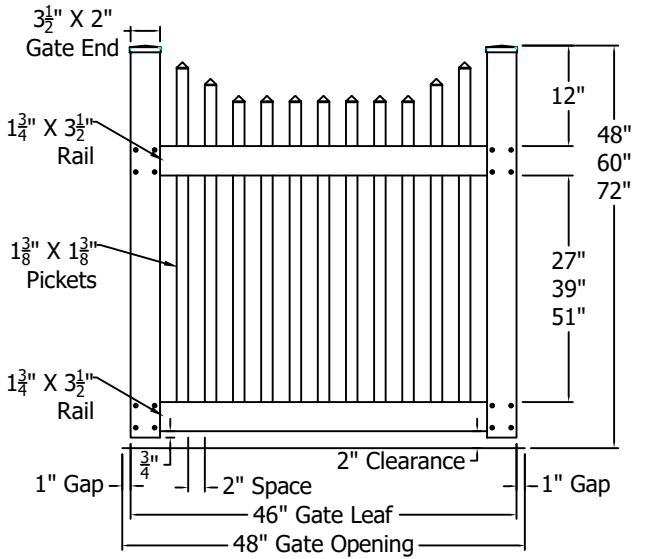
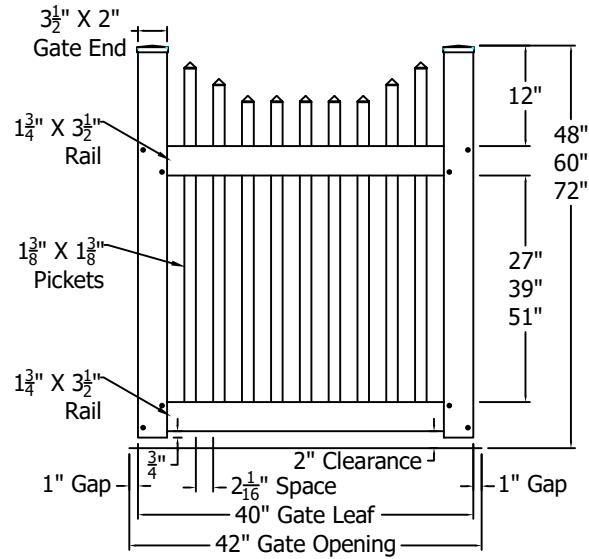
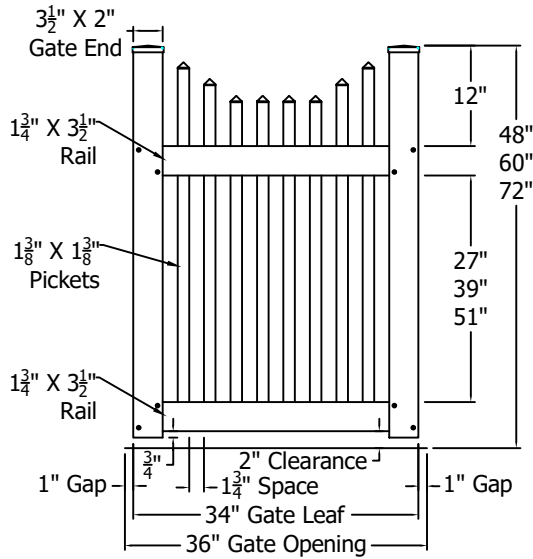




Rails And Gate Ends Reinforced With Aluminum

REV.	LOC.	REVISION	DATE



 <p>Polyvinyl VINYL FENCING</p>	 <p>DSI Digger Specialties Inc. Transforming the Outdoor Living Experience™</p> <p>3446 US 6 EAST Bremen, IN 46506 diggerspecialties.com</p>	DRAWN BY: EH DATE DRAWN: 04-29-2022	STYLE: Remington Standard Gates
		SCALE = 1":1"	AS SHOWN: 48" T
		DRAFT NO.: 20220429-1E	LOC: Z:\Vinyl\Polyvinyl Fence\Remington\Updated Standard Drawings
		REV. A	REV. A