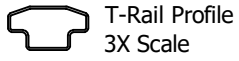
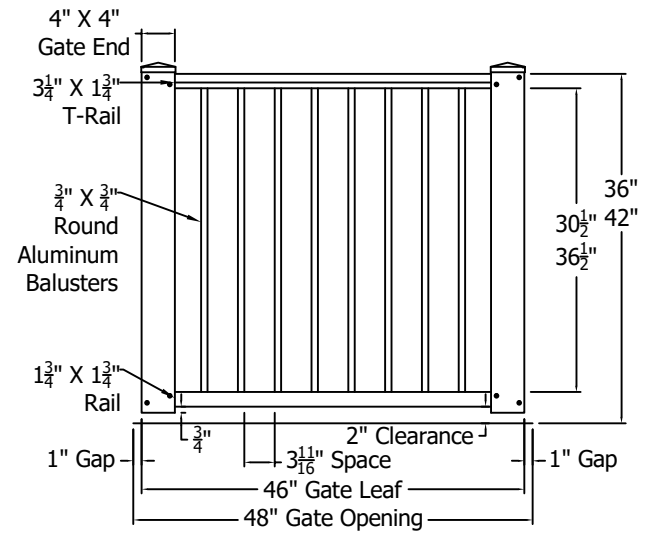
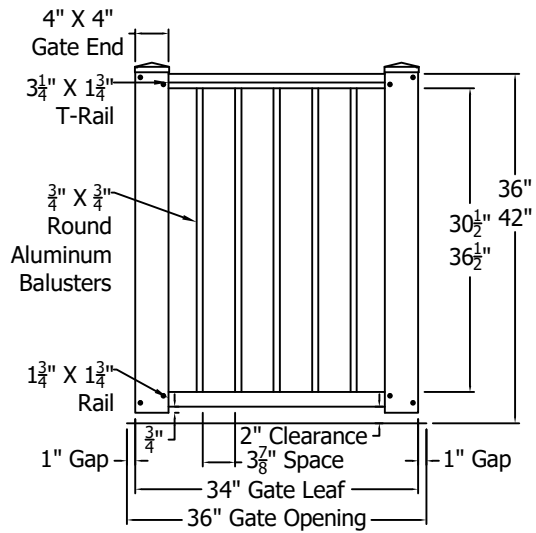




Rails And Gate Ends Reinforced With Aluminum



REV.	LOC.	REVISION	DATE
B		Updated Logos	12/22/20



 <b>PolyRail</b> VINYL RAILING	 <b>Digger Specialties Inc.</b> <i>Transforming the Outdoor Living Experience™</i> 3446 US 6 EAST Bremen, IN 46506 diggerspecialties.com	DRAWN BY: EH	STYLE:
		DATE DRAWN: 01-03-2020	<b>Raven Standard Gates B Series</b>
SCALE = 1":1"		AS SHOWN: 42" T	
DRAFT NO.: 20200103-1E	LOC: Z:\Vinyl\PolyRail Railing\Raven\Updated Standard Drawings	REV. B	

4

3

2

1

D

C

B

A