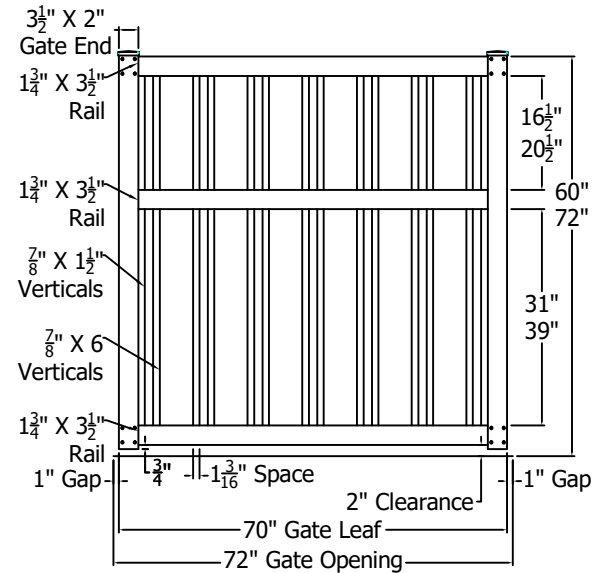
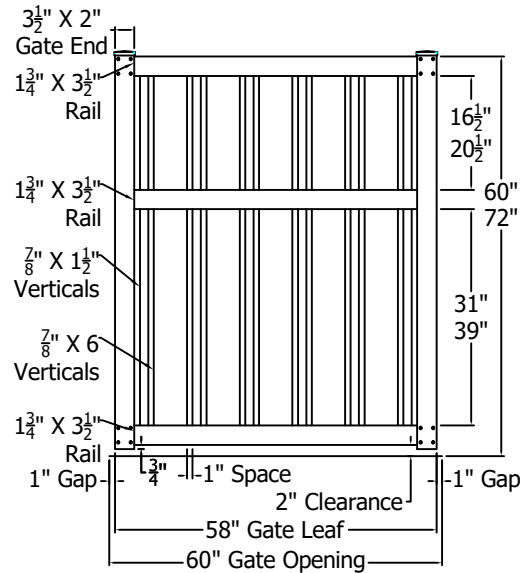
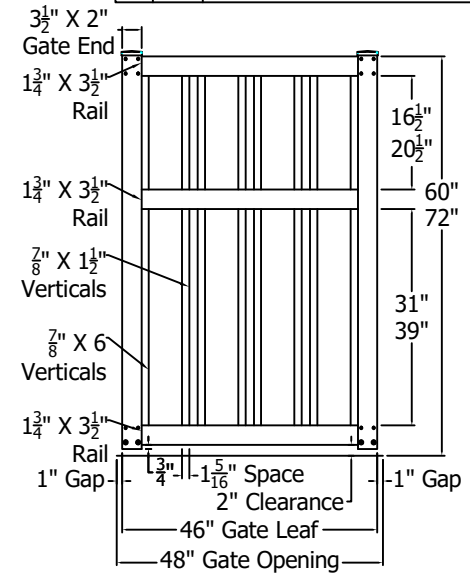
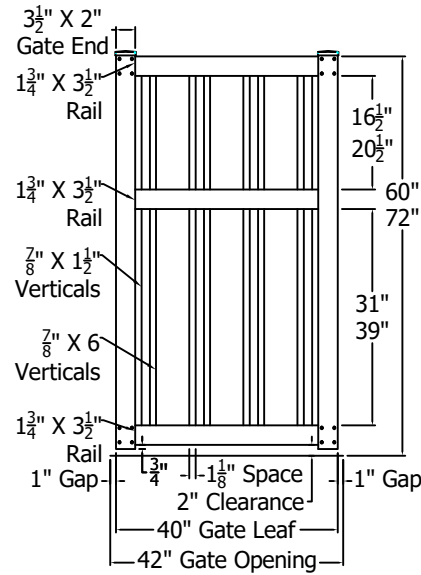
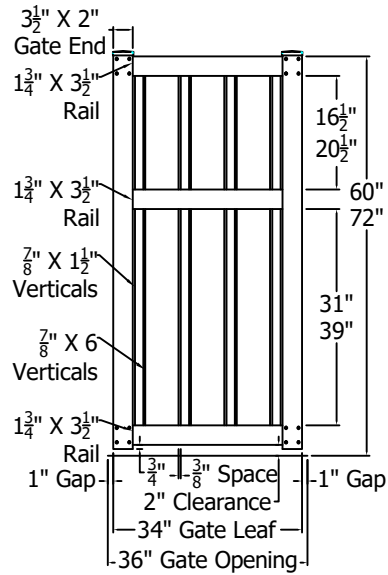


Rails And Gate Ends Reinforced With Aluminum

REV.	LOC.	REVISION	DATE
B		Updated Logos	12/22/20



DRAWN BY: EH
DATE DRAWN: 03-20-2020
SCALE = 1":1"
DRAFT NO.: 20200320-1E

STYLE: Princeton Standard Gates
AS SHOWN: 72" T
LOC: Z:\Vinyl\Polyvinyl\Fence\Princeton\Updated Standard Drawings