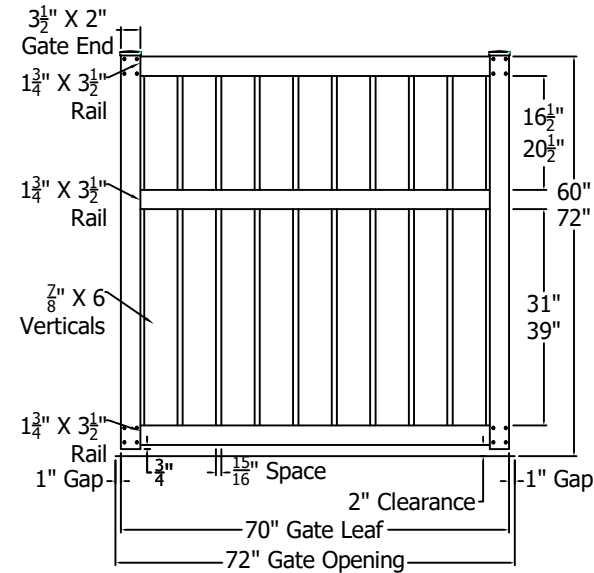
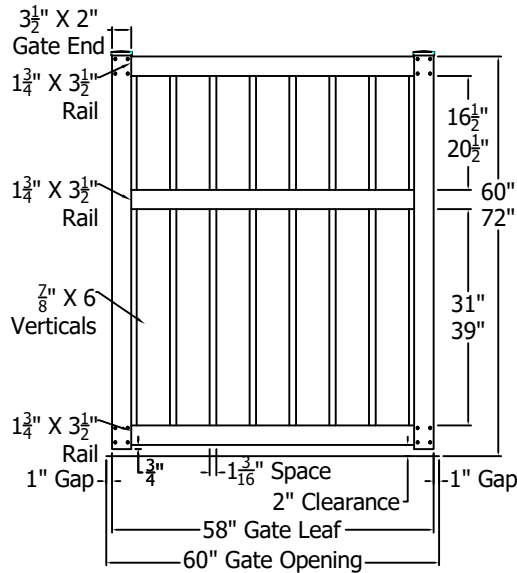
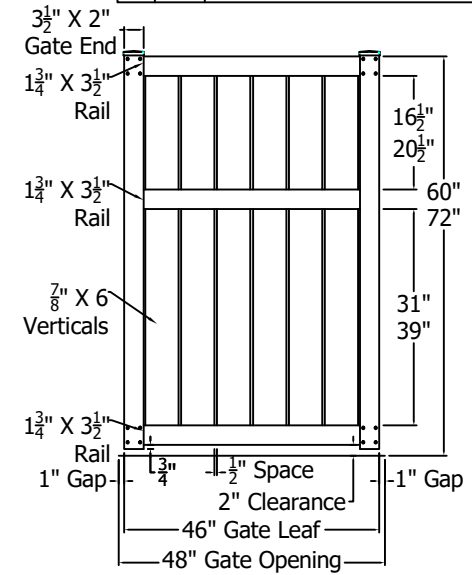
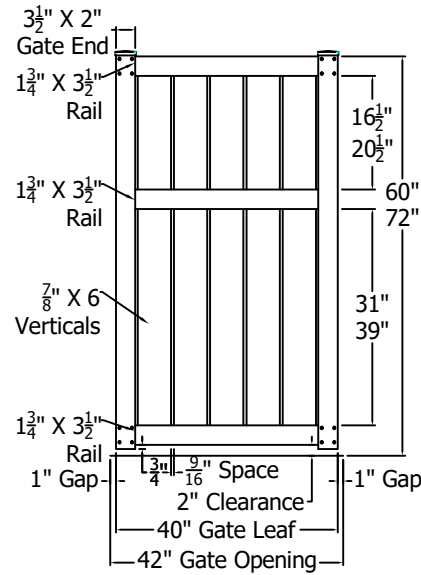
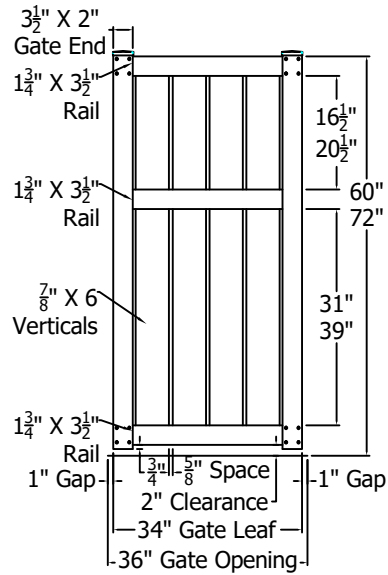




Rails And Gate Ends Reinforced With Aluminum

REV.	LOC.	REVISION	DATE
B		Updated Logos	12/22/20



 <p>Polyvinyl VINYL FENCING</p>	 <p>DSI Digger Specialties Inc. <i>Transforming the Outdoor Living Experience™</i></p> <p>3446 US 6 EAST Bremen, IN 46506 diggerspecialties.com</p>	DRAWN BY: EH DATE DRAWN: 03-20-2020	STYLE: Prestige Standard Gates
		SCALE = 1":1" DRAFT NO.: 20200320-1E	AS SHOWN: 72" T LOC: Z:\Vinyl\Polyvinyl Fence\Prestige\Updated Standard Drawings
			REV. B