

4

3

2

1 PART NUMBER:

REV.	REVISION	DATE
A	RELEASED TO PRODUCTION	

D

D

C

C

B

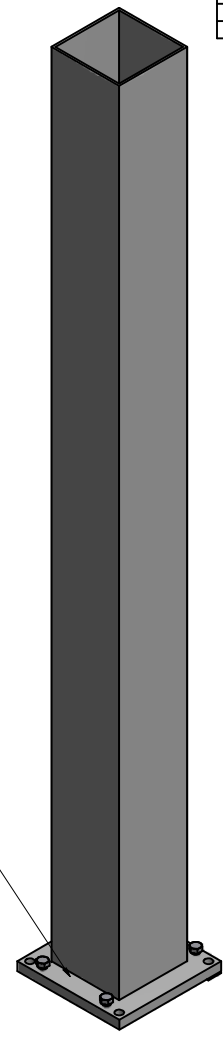
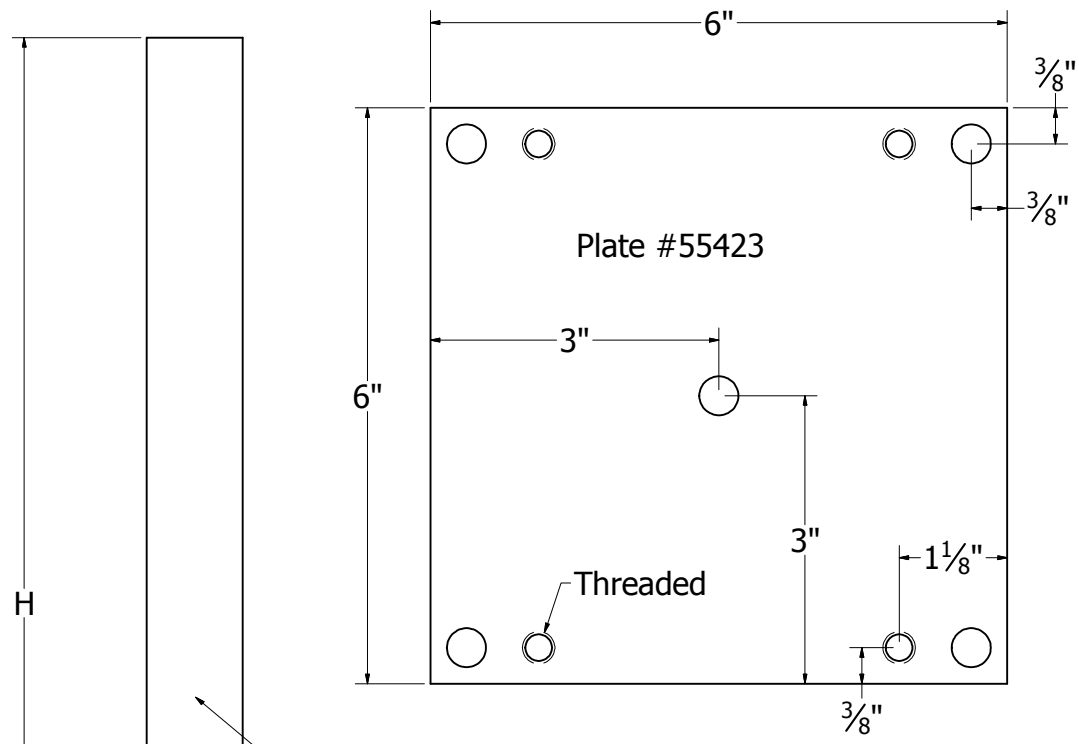
B

B

B

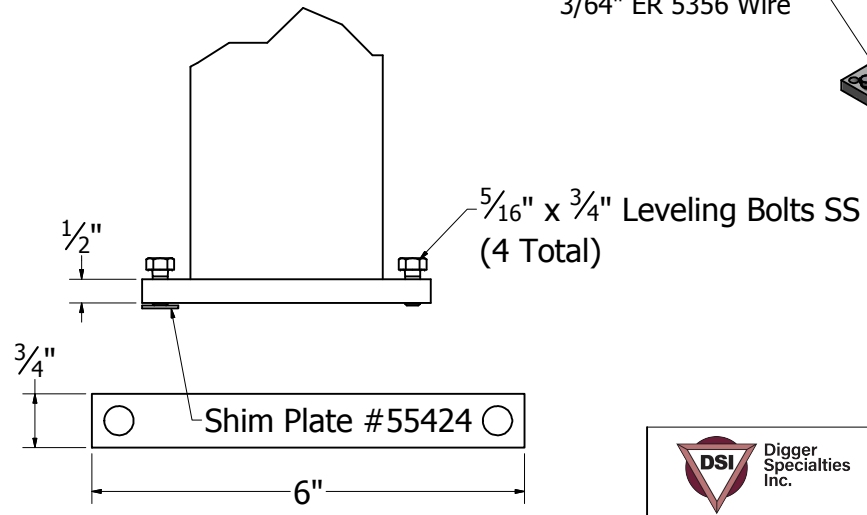
A

A



4" x 4" Smooth Post .125" wall

Welded all 4 sides full length to plate with 3/64" ER 5356 Wire



5/16" x 3/4" Leveling Bolts SS (4 Total)

Shim Plate #55424

Part #	H =
173255	37"
173256	47"
173257	43"
173258	53"

**DSI** Digger Specialties Inc.  
*Transforming the Outdoor Living Experience!*  
 3446 US 6 EAST  
 BREMEN, IN 46506  
 www.diggerspecialties.com

WEIGHT:  
 STANDARD TOLERANCE:  
 .00 ± .01  
 .000 ± .005  
 ANG. .5° ±  
 FRACTIONS: ± 1/16"

DRAWN BY: **wjm**  
 DATE DRAWN: **12/21/2011**  
 APPROVED BY:  
 DATE APPR'D:

MATERIAL:  
**Aluminum**  
 PART NAME: **4 x 4 Smooth Post w/Plate & Shim**  
 PART NUMBER:  
 Post Smooth 4 x .125 with Base

4

3

4

2

1