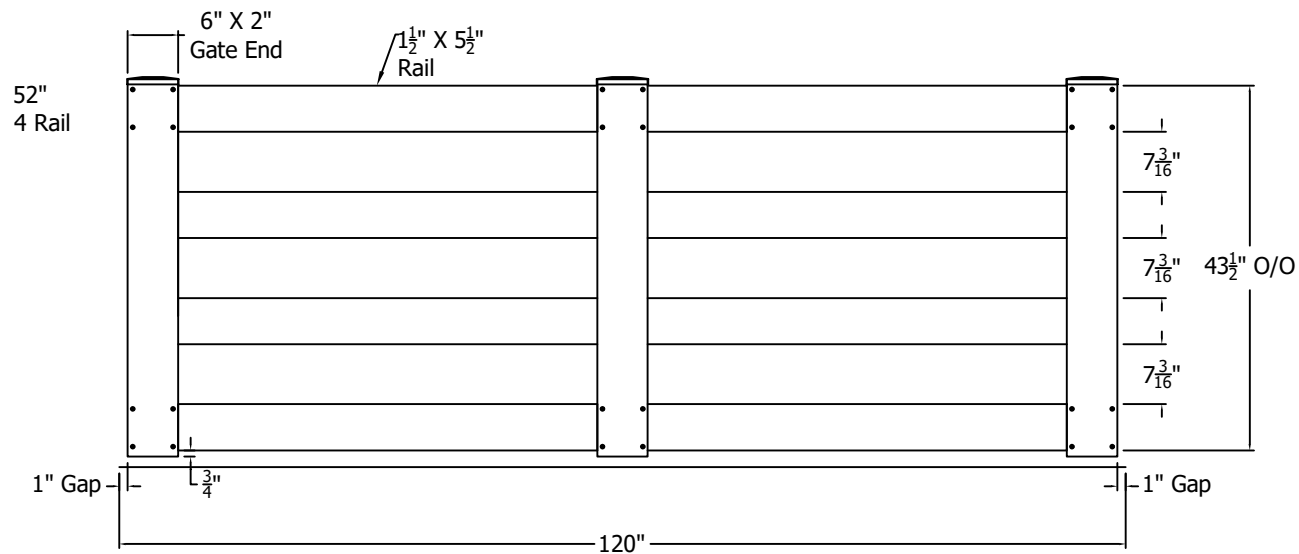
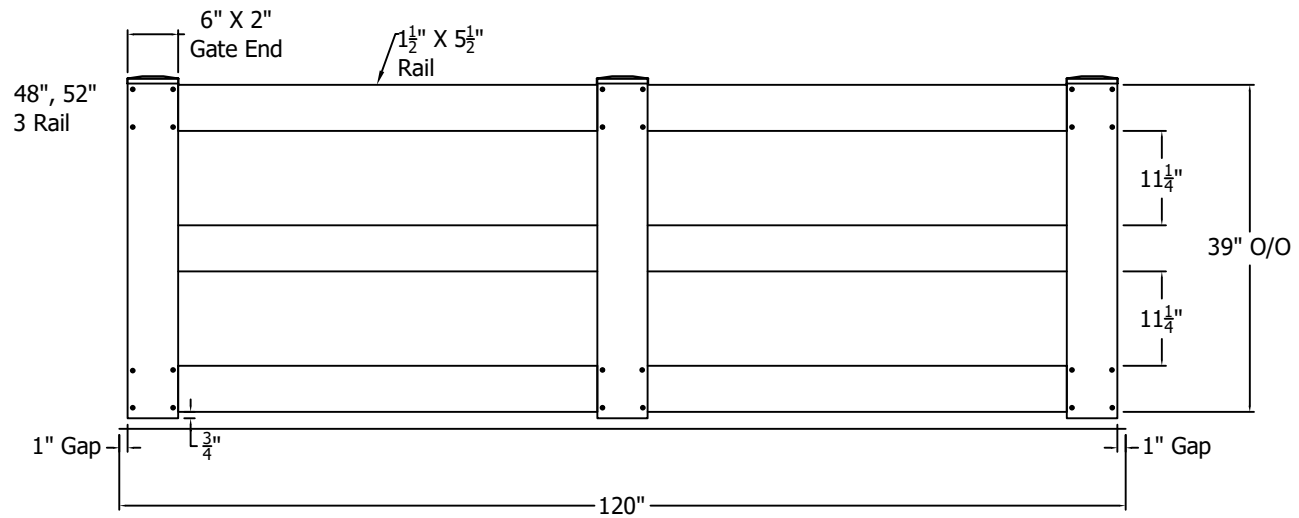




To Match Sections With 2" X 6" Rails

REV.	LOC.	REVISION	DATE



	 <p>Transforming the Outdoor Living Experience™</p> <p>3446 US 6 EAST Bremen, IN 46506 diggerspecialties.com</p>	DRAWN BY: EH DATE DRAWN: 06-13-2022	STYLE: Post & Rail Standard Gates 2 X 6
		SCALE = 1":1"	AS SHOWN: 120" W
		DRAFT NO.: 20220613-1E	LOC: Z:\Vinyl\Polyvinyl Fence\Post and Rail\Updated Standard Drawings
		REV. A	REV. A

4

3

2

1

D

C

B

A