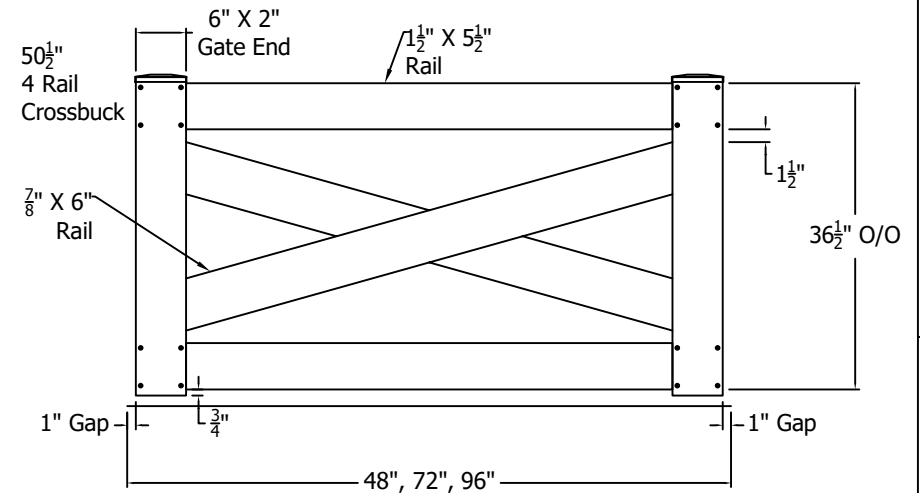
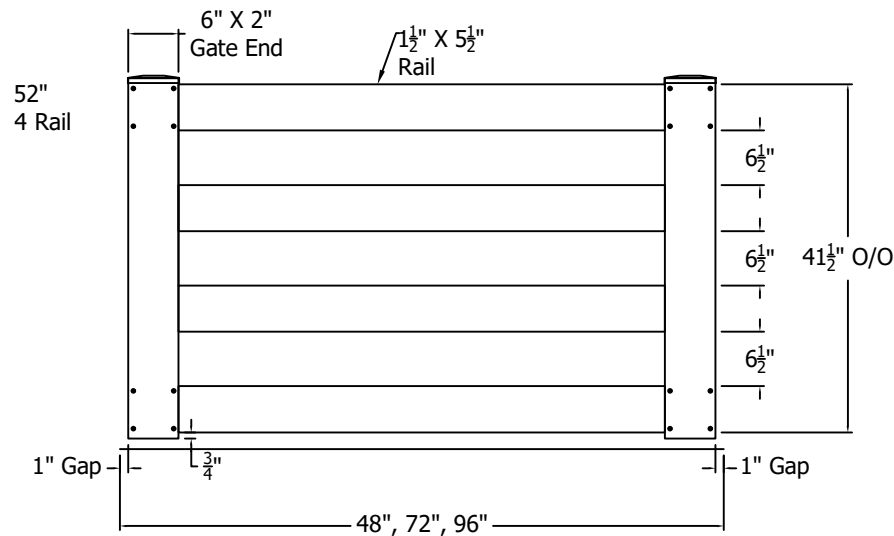
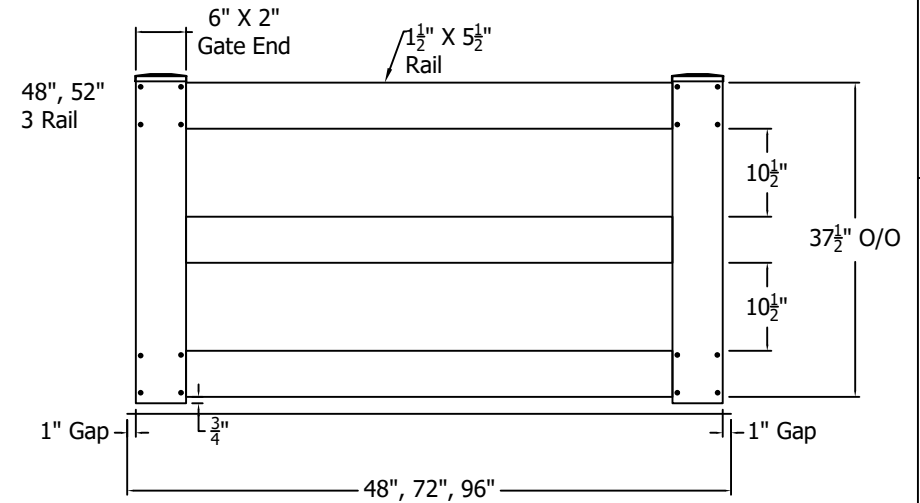
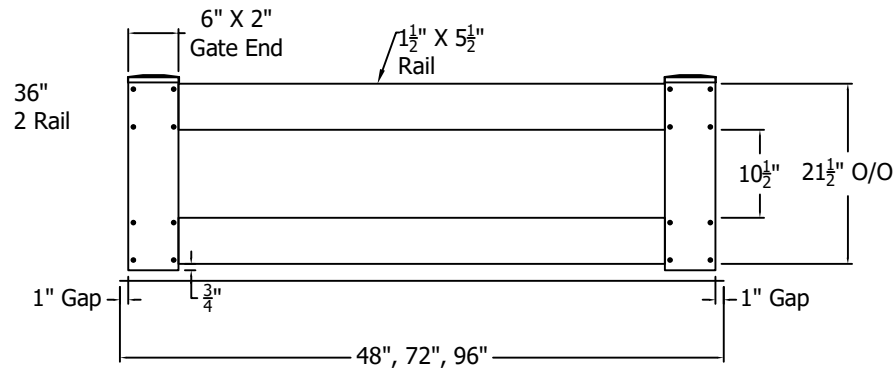




To Match Sections With 1½" X 5½" Rails

REV.	LOC.	REVISION	DATE



 <p><b>Polyvinyl</b> VINYL FENCING</p>	 <p><b>DSI</b> Digger Specialties Inc. Transforming the Outdoor Living Experience™</p> <p>3446 US 6 EAST Bremen, IN 46506 diggerspecialties.com</p>	DRAWN BY: EH	STYLE:
		DATE DRAWN: 06-13-2022	<b>Post &amp; Rail Standard Gates 1.5 X 5.5</b>
		SCALE = 1":1"	AS SHOWN: 72" W
		DRAFT NO.: 20220613-1E	LOC: Z:\Vinyl\Polyvinyl Fence\Post and Rail\Updated Standard Drawings
		REV.	A

4

3

2

1

D

C

B

A