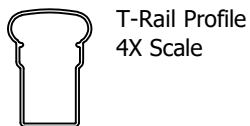
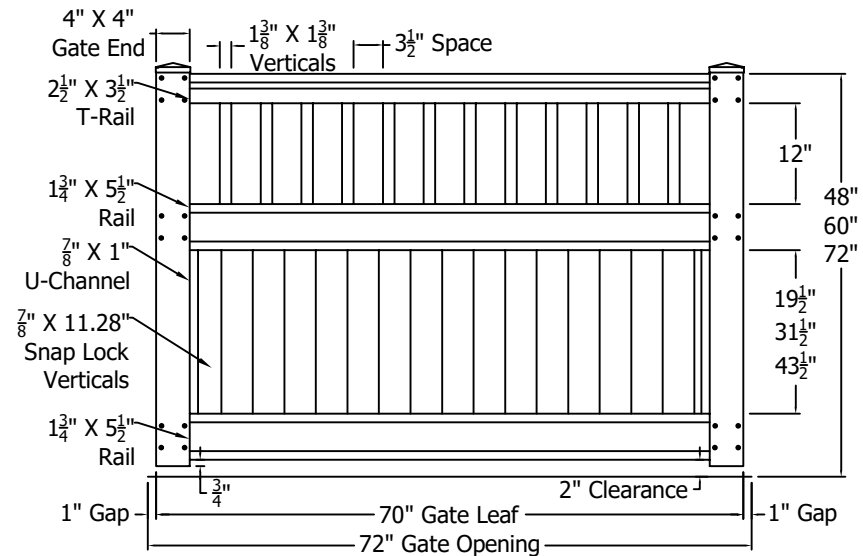
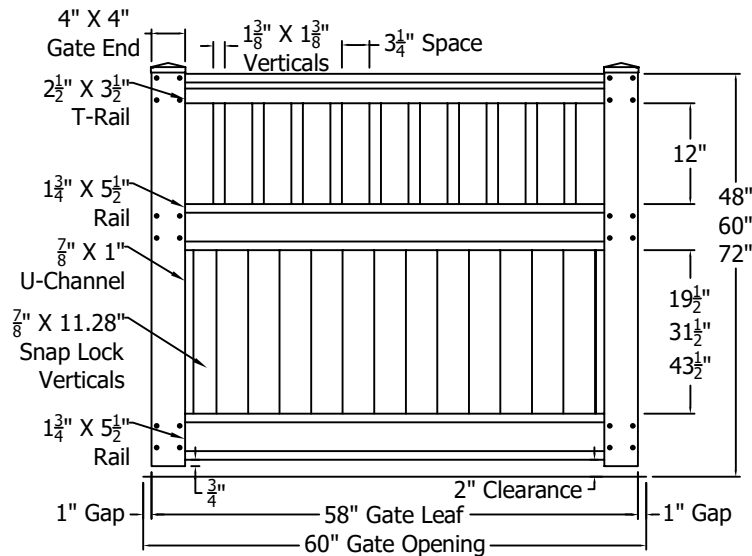
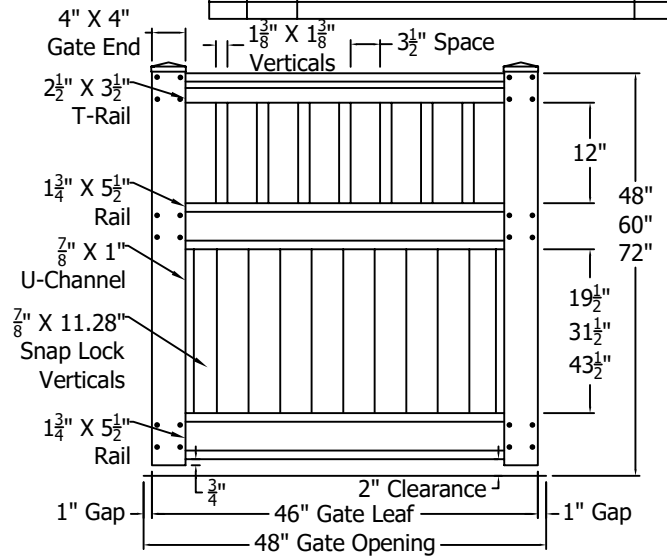
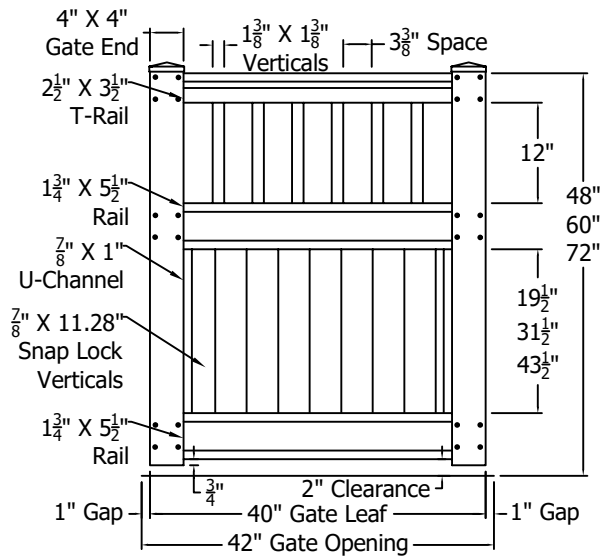
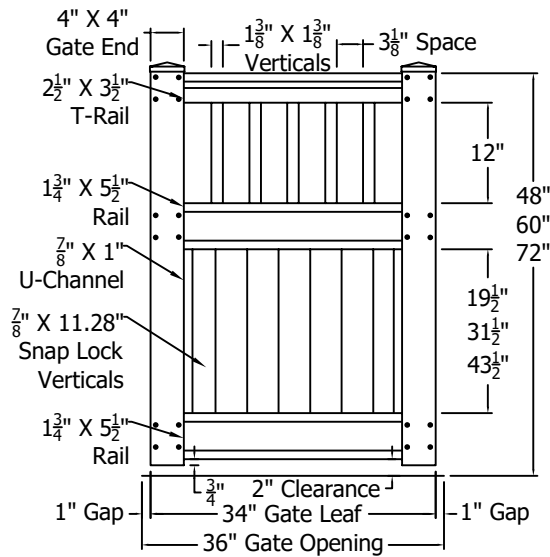


Rails And Gate Ends Reinforced With Aluminum

REV.	LOC.	REVISION	DATE
A		Gate Ends Changed To 4"	6/20/22

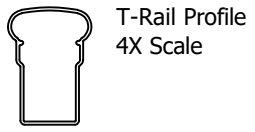
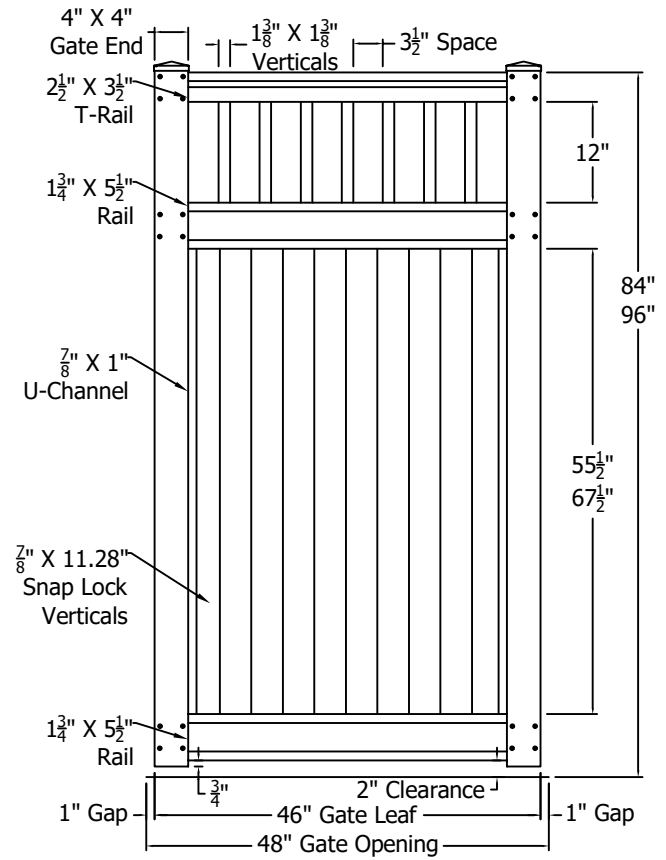
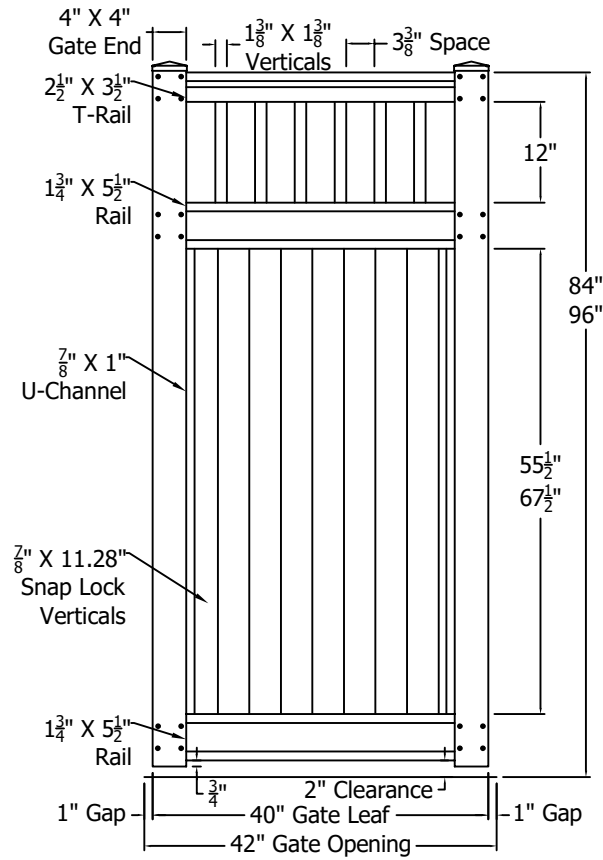
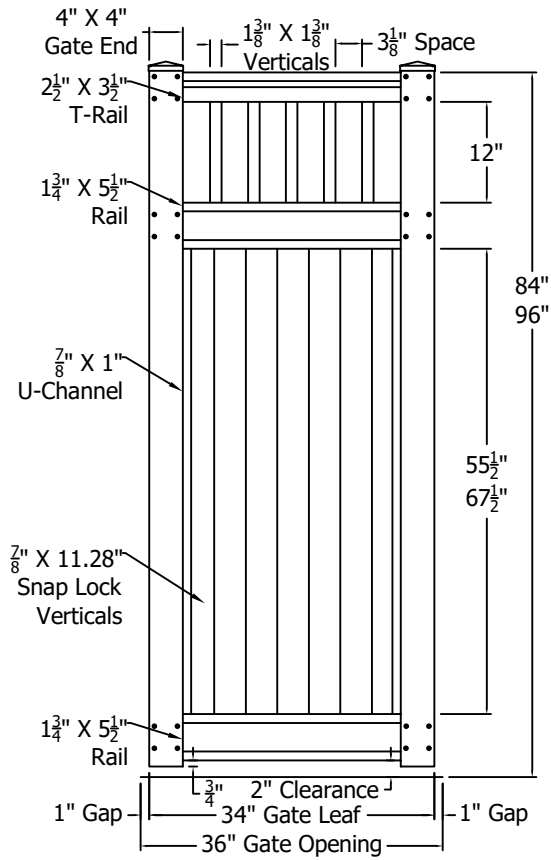


T-Rail Profile
4X Scale

<p>Polyvinyl VINYL FENCING</p>	<p>DSI Digger Specialties Inc. Transforming the Outdoor Living Experience™</p> <p>3446 US 6 EAST Bremen, IN 46506 diggerspecialties.com</p>	DRAWN BY: EH DATE DRAWN: 06-28-2022	STYLE: Kingston Standard Gates
		SCALE = 1" = 1"	AS SHOWN: 48" T
		DRAFT NO.: 20220628-1E	LOC: Z:\Vinyl\Polyvinyl Fence\Kingston\Updated Standard Drawings
			REV. A

Rails And Gate Ends Reinforced With Aluminum

REV.	LOC.	REVISION	DATE
A		Gate Ends Changed To 4"	6/20/22



T-Rail Profile
4X Scale

<p>Polyvinyl VINYL FENCING</p>	<p>DSI Digger Specialties Inc. Transforming the Outdoor Living Experience™</p> <p>3446 US 6 EAST Bremen, IN 46506 diggerspecialties.com</p>	DRAWN BY: EH DATE DRAWN: 06-28-2022	STYLE: Kingston Standard Gates
		SCALE = 1":1"	AS SHOWN: 84" T
		DRAFT NO.: 20220628-1E	LOC: Z:\Vinyl\Polyvinyl Fence\Kingston\Updated Standard Drawings
			REV. A

4

3

2

1

D
C
B
A