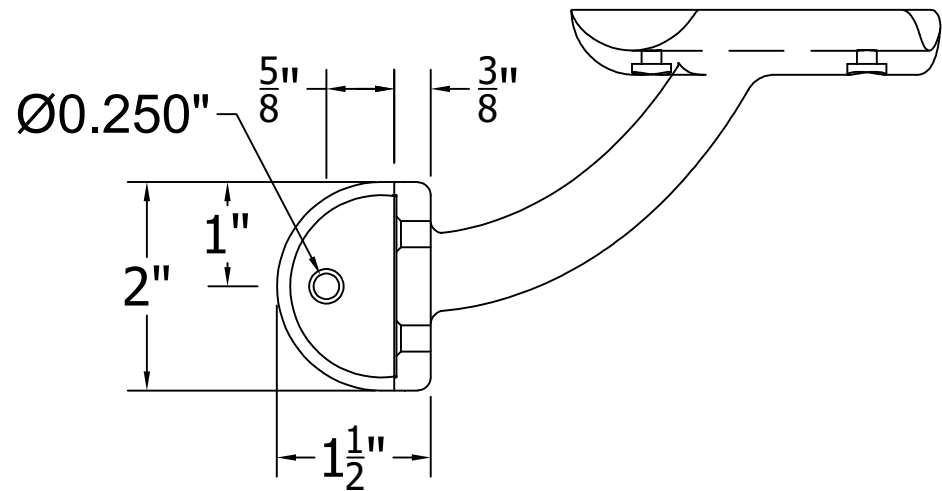
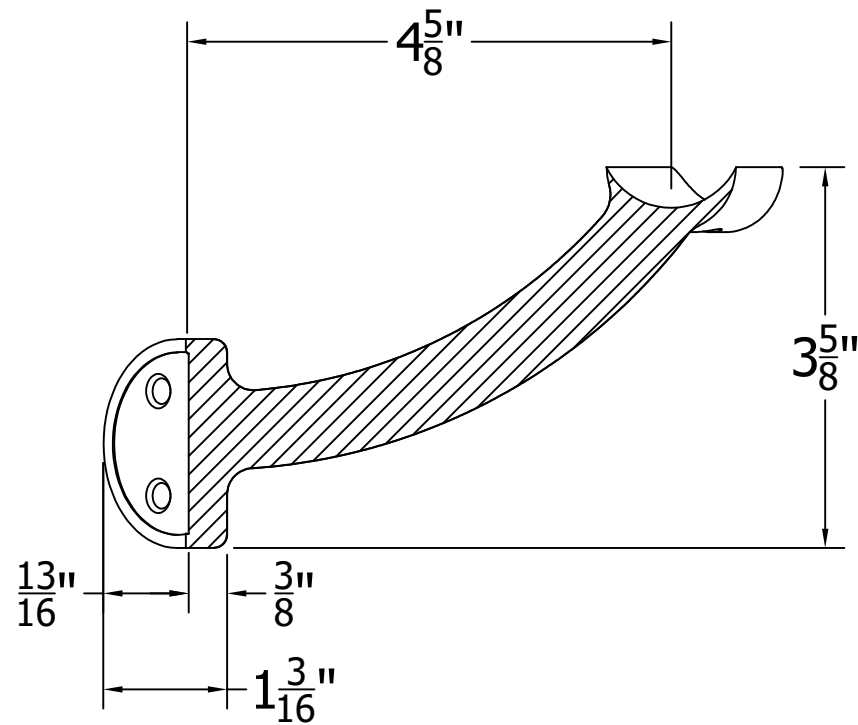
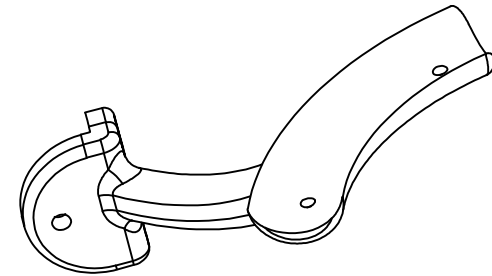




REV.	LOC.	REVISION	DATE
A		Updated Logos	1/6/21



	 <i>Transforming the Outdoor Living Experience™</i> 3446 US 6 EAST Bremen, IN 46506 diggerspecialties.com	DRAWN BY: EH	STYLE:
		DATE DRAWN: 02-25-2020	Inside Corner Mount
SCALE = 1"=1"		AS SHOWN:	
DRAFT NO.: 20200225-1E	LOC: Z:\Aluminum\ADA Continuous Handrail	REV.	A

4

3

2

1

D

C

B

A