

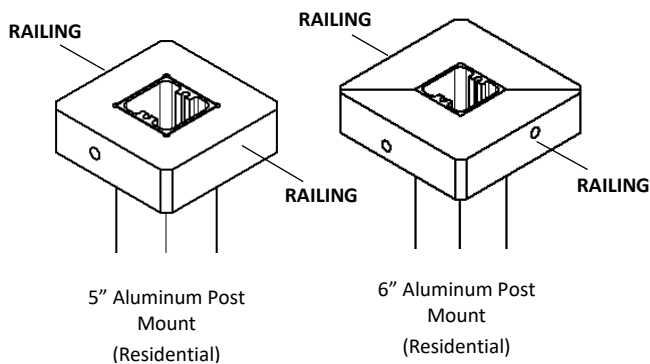
IRC 5" & 6" Aluminum Post Mount (Residential)

Installation Instructions

It is the responsibility of the installer to meet all code and safety requirements, and to obtain all required building permits. The installer should determine and implement the installation techniques appropriate for each unique installation situation. Digger Specialties, Inc. and its distributors shall not be held liable for improper or unsafe installations.

Concrete Surface Installation

Place aluminum post mount so that screw channels are PERPENDICULAR to railing. Fasten aluminum post mount to concrete using (4) 3/8" x 3" concrete screws (screws not provided).



Concrete Surface Installation Cont'd

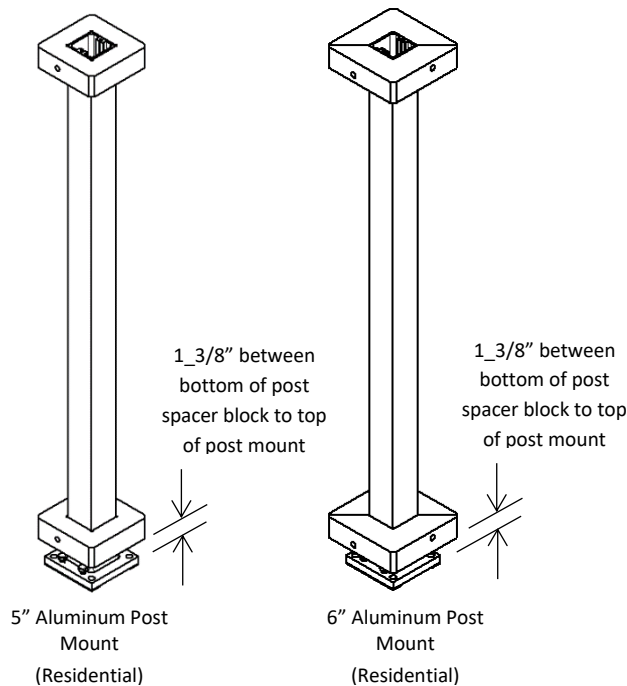
Level aluminum post mount by adjusting the leveling bolts and anchoring fasteners as necessary. A 1/2" open end wrench will be needed for leveling bolts. Once post mount is level and anchored securely, position bottom spacer block so that there is 1 3/8" between bottom of spacer block and top of post mount plate. Attach bottom spacer block with screws provided. Slide vinyl post with flair over aluminum post mount to floor.

When railing system is installed, the lower screws from external railing mount will go through vinyl post and into bottom spacer block. This will secure vinyl post to aluminum post mount.

Wood Surface Installation

Place aluminum post mount so that screw channels are PERPENDICULAR to railing. Fasten aluminum post mount to wood surface using (4) 3/8" x 5" or longer stainless-steel lags (lags not provided).

Level the post mount by adjusting the leveling bolts and anchoring fasteners as necessary. A 1/2" open end wrench will be needed for leveling bolts. Once post mount is level and anchored securely, position bottom spacer block so that there is 1 3/8" between bottom of spacer block and top of post mount plate. Attach bottom spacer block with screws provided. Slide vinyl post with flair over aluminum post mount to floor.



IRC 5" & 6" Aluminum Post Mount (Residential)

Installation Instructions

It is the responsibility of the installer to meet all code and safety requirements, and to obtain all required building permits. The installer should determine and implement the installation techniques appropriate for each unique installation situation. Digger Specialties, Inc. and its distributors shall not be held liable for improper or unsafe installations.

Wood Surface Installation Cont'd

When railing system is installed, the lower screws from external railing mount will go through vinyl post and into bottom spacer block. This will secure vinyl post to aluminum post mount.

WARNING: When installing aluminum post mount on top of a wood structure, the 5" lags **MUST** be lagged entirely into substrate! It will not be strong enough if it is fastened into a 5/4" or a 1½" thick deck board!

Below is an example of how to design the wood structure to accept the aluminum post mount. Any other way must meet or exceed these qualifications.

