

# CourtYard Hundred Series



## Installation Instructions

- It is the responsibility of the installer to meet all code and safety requirements, and to obtain all required building permits. The installer should determine and implement the installation techniques appropriate for each unique installation situation. Digger Specialties, Inc. and its distributors shall not be held liable for improper or unsafe installations.
- When core drilling any post product where water can build up, the installer is responsible to drill a 1/4" hole as close to the bottom of the post by concrete as possible. If there is no weep hole, you may have damage from moisture build up and freezing.

### Step 1: Layout the Fence Line

1. For a standard 6' section post spacing is 72" from center to center of posts. Determine length of sections needed. A standard 6' section will rack up to 20". NOTE: The center-to-center post distance can vary  $\pm 1/2"$ .
2. Mark ground where centers of all holes will be. For a 2" post, center of hole will be 1" away from string.
3. Dig all holes. We recommend having bottom of holes below frost line and to bell out bottom of holes to help prevent frost uplift. An 8" to 9" diameter hole is recommended for these posts.

### Step 2: Attach Caps to Posts

Caps should be placed on posts before installation. Secure caps by tapping with a rubber mallet.

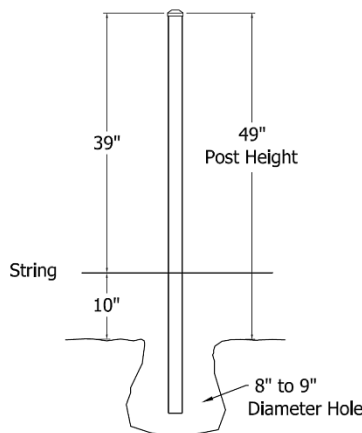
### Step 3: Setting Posts and Sections

To help achieve correct height for posts, set string at a certain height from the ground. The following example is using a string set 10" off the ground.

Example: 48" tall 0230 is 49" from ground level to top of post; subtract 10" (amount string is off the ground) from 49" (post height out of ground) = 39".

Use a pencil to mark 39" down from the top of all the posts.

1. Pour approximately half a bag of concrete mix into the hole.

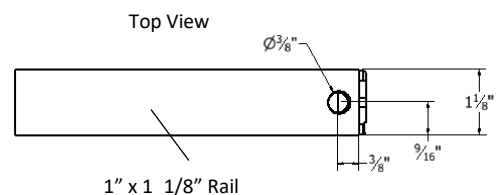


### Step 3: Setting Posts and Sections cont'd

2. Place post into hole with concrete.
3. Insert section.
4. Place next post in hole with concrete. Level the post and section to correct height according to the height of the fence.
5. Pour more concrete around posts. We recommend concrete to be at least 8" below the ground.
6. Using a rod (or something similar), run it up and down through the concrete a few times around the post to help pack the concrete.
7. Repeat above procedure for the next section and post.
8. When all posts and sections are installed, double check all post and fence heights.
9. Add water to permanently set the posts. Let concrete harden.

### Cutting Sections to Length

1. Determine length of section needed (measurement from inside to inside of posts plus 1/2").
2. Remove rail locks from end of rails on section you want to cut.
3. Center section between posts, mark and cut section.
4. Drill or punch a 3/8" hole on top center of rails, back 3/8" from cut edge of rail to center of hole.
5. Reinsert rails locks into rails, and then insert section into posts.



# CourtYard Hundred Series



## Installation Instructions

- It is the responsibility of the installer to meet all code and safety requirements, and to obtain all required building permits. The installer should determine and implement the installation techniques appropriate for each unique installation situation. Digger Specialties, Inc. and its distributors shall not be held liable for improper or unsafe installations.
- When core drilling any post product where water can build up, the installer is responsible to drill a 1/4" hole as close to the bottom of the post by concrete as possible. If there is no weep hole, you may have damage from moisture build up and freezing.

### Replacing a Picket

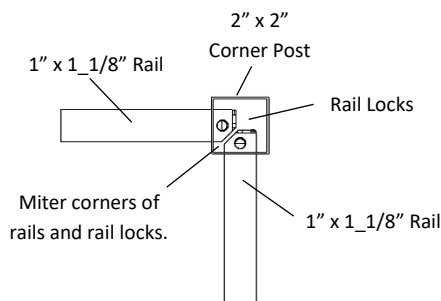
1. Determine which side of the picket the e-clip is located. (All e-clips will be located on same side in section).
2. Take a flat head screwdriver under rail between picket and e-clip.
3. Slide away from picket.
4. Do this for all rails.
5. Insert new picket with pre-drilled holes facing e-clips.
6. Slide e-clip towards picket with flat head screwdriver (or finger) until e-clip snaps into picket.

#### If e-clips need replaced:

1. Using needle nosed pliers, squeeze e-clip together.
2. Twist and pull down.
3. To insert new e-clip, squeeze e-clip together.
4. Twist and insert above track inside of rail.
5. Slide e-clip toward picket with flat head screwdriver (or finger) until e-clip snaps into picket.

### Corner Post

When inserting sections into 2" corner posts, the rails with rail locks will need to be mitered to allow enough clearance so the rail locks will lock into position. After mitering rails, place into the post. Do this for all corner rails.



Top View

### Gate Installation

We recommend using heavy wall (.125") posts on both sides of gates. The gates are preassembled; however, the hinges and latch will need to be applied. Installation Instructions are provided with the gate hardware.

### Removing Sections from Post

NOTE: It is recommended to use the Rail Remover tool to remove rails.

1. Insert Rail Remover tool under bottom of rail to allow rail lock tab to lift.
2. Pull rail out of post.

### Care and Cleaning

Remove all particles and residue from CourtYard aluminum components by referring to the Care and Cleaning requirements on the DSI website.

