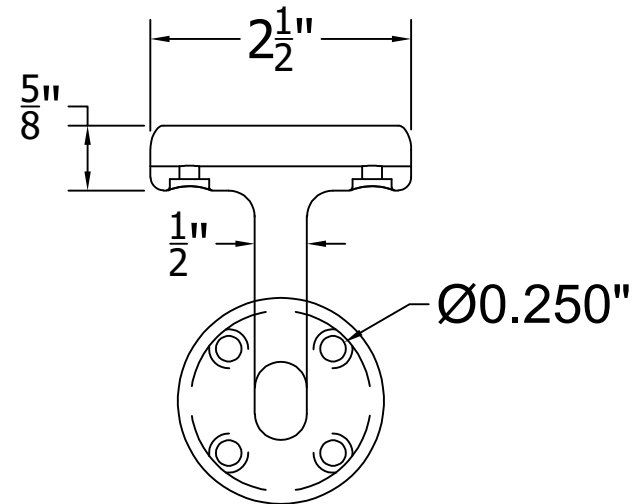
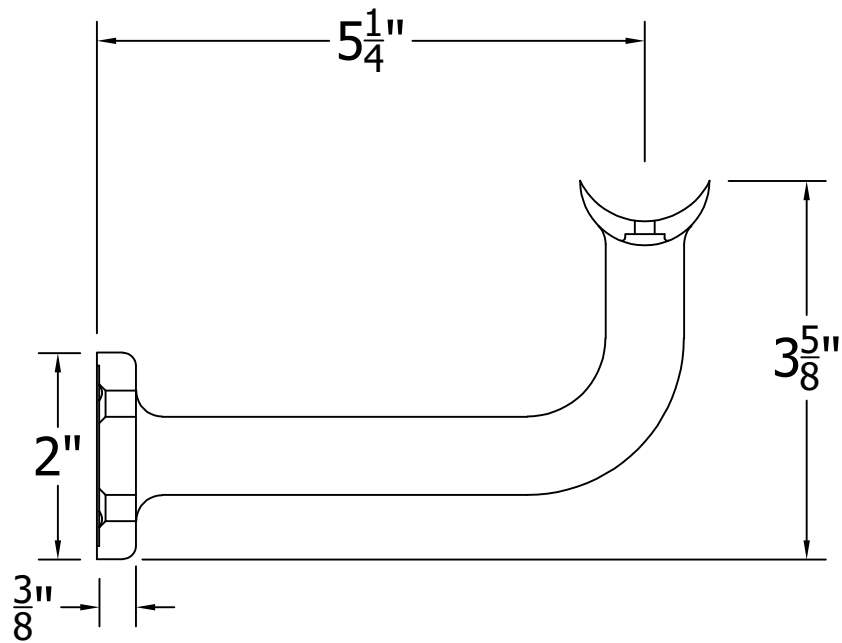
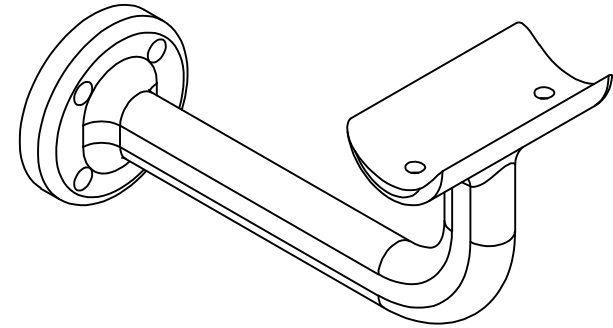
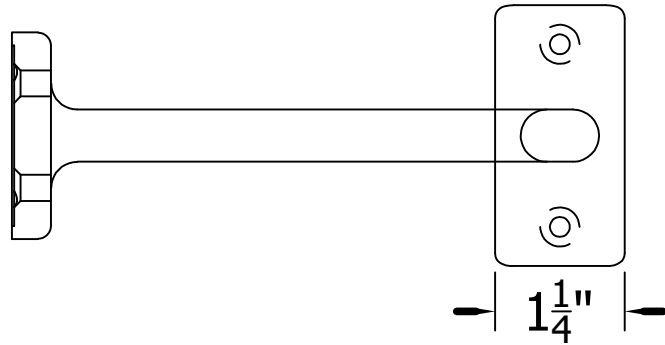




REV.	LOC.	REVISION	DATE
A		Updated Logos	1/6/21



	 <p>Transforming the Outdoor Living Experience™</p> <p>3446 US 6 EAST Bremen, IN 46506 diggerspecialties.com</p>	DRAWN BY: EH	STYLE:
		DATE DRAWN: 02-25-2020	<b>Extended Wall Mount</b>
		SCALE = 1"=1"	AS SHOWN:
		DRAFT NO.: 20200225-1E	LOC: Z:\Aluminum\ADA Continuous Handrail