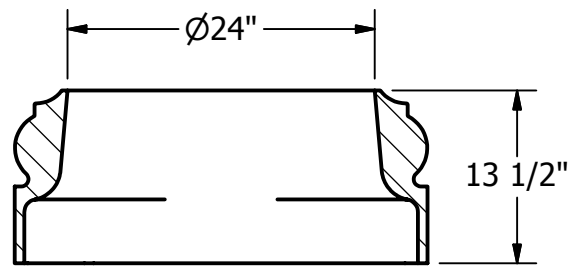
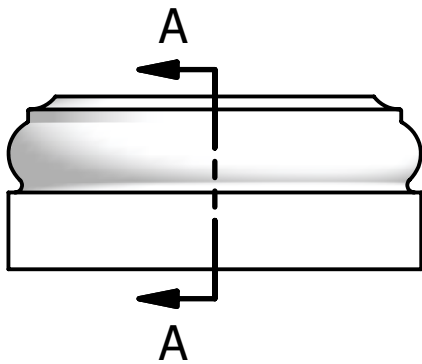
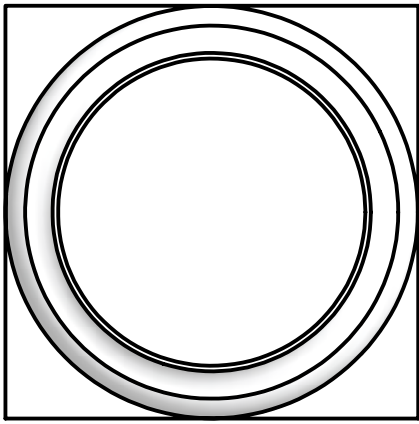


2

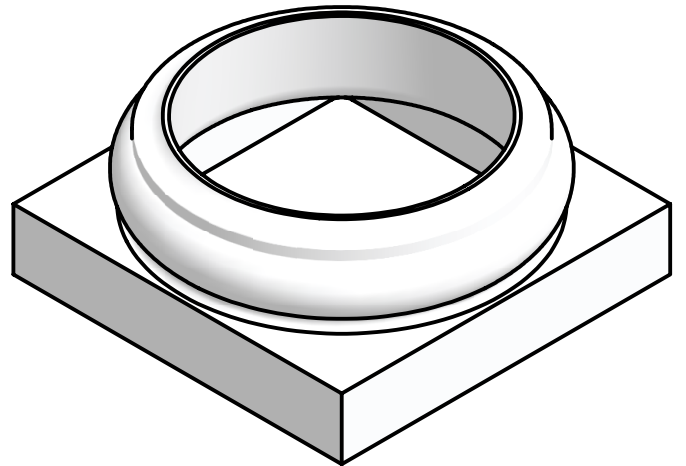
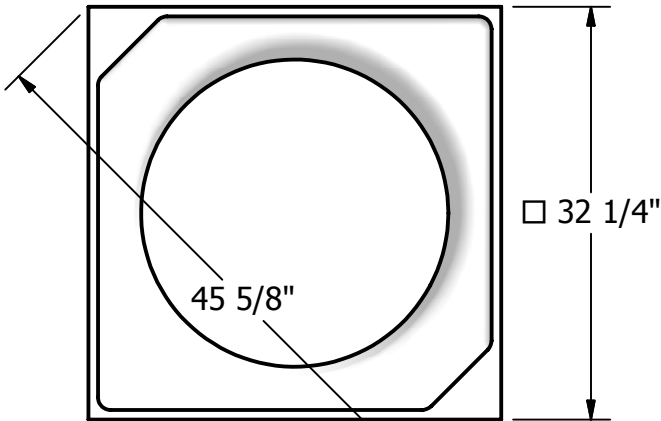
1

NOTES:

- 1. MATERIAL: FIBERGLASS REINFORCED POLYMER (FRP)
- 2. WEIGHT: 110 Lbs.
- 3. INSIDE DIAMETER: 24 "
- 4. OUTSIDE DIAMETER: 32 1/4 "




SECTION A-A




NOT TO SCALE

| | | |
|----------|---------------|-----------|
| DRAWN | Bryan Daniels | 4/20/2016 |
| CHECKED | | |
| QA | | |
| MFG | | |
| APPROVED | | |



DSI Digger
Specialties
Inc.
Transforming the Outdoor Living Experience™



Westbury
COLUMNS

TITLE
Fiberglass/Composite Doric Round Base 24 Inch

DIMENSIONS ARE IN INCHES
TOLERANCE: ± 1/4"

| | | | | | |
|-------|------|--------------|--------|-----|----|
| SIZE | A | DWG NO | TB2624 | REV | 03 |
| SCALE | 1:15 | SHEET 1 OF 1 | | | |

2

1