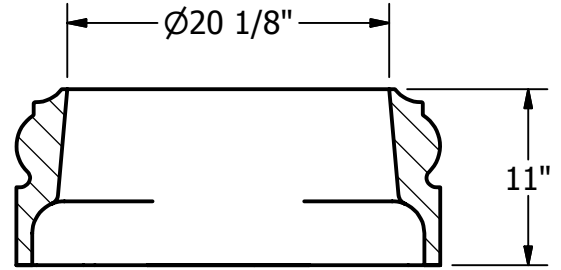
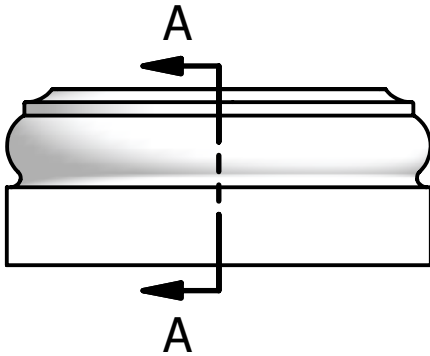
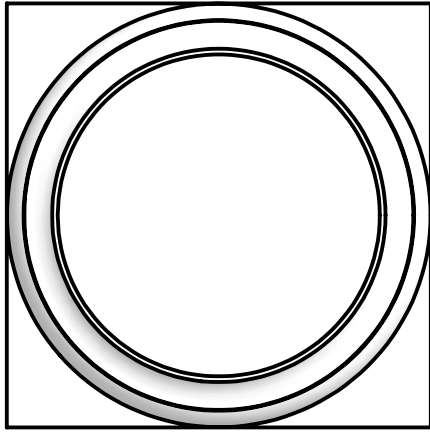


2

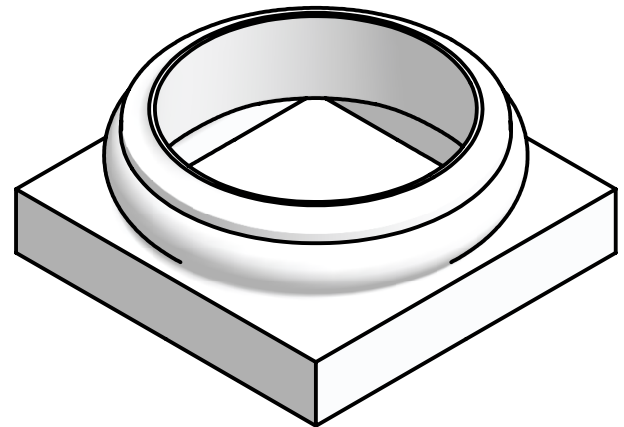
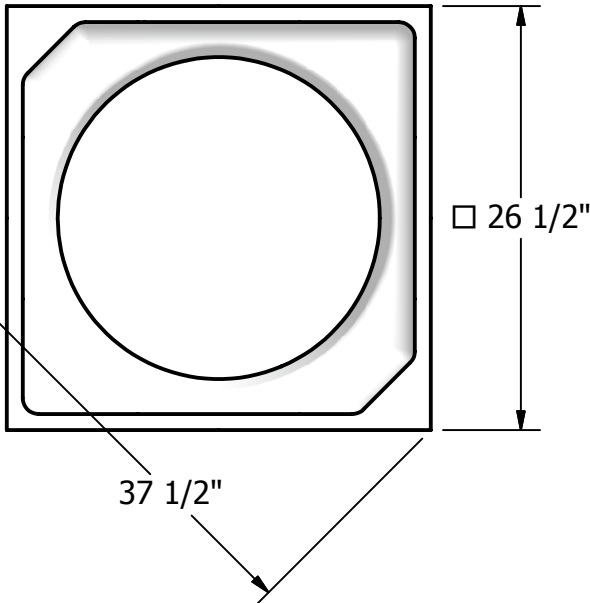
1

NOTES:



- 1. MATERIAL: FIBERGLASS REINFORCED POLYMER (FRP)
- 2. WEIGHT: 90 Lbs.
- 3. INSIDE DIAMETER: 20 1/8"
- 4. OUTSIDE DIAMETER: 26 1/2"



SECTION A-A



NOT TO SCALE

DRAWN Bryan Daniels	4/21/2016	 <i>Transforming the Outdoor Living Experience</i>			
CHECKED					
QA					
MFG					
APPROVED					
DIMENSIONS ARE IN INCHES TOLERANCE: ± 1/4"		TITLE Fiberglass/Composite Doric Round Base 20 Inch	SIZE A	DWG NO TB2620	REV 03
		SCALE 1:12	SHEET 1 OF 1		

2

1