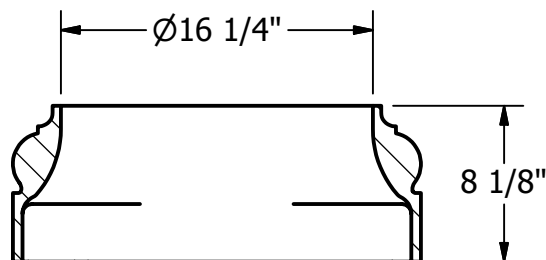
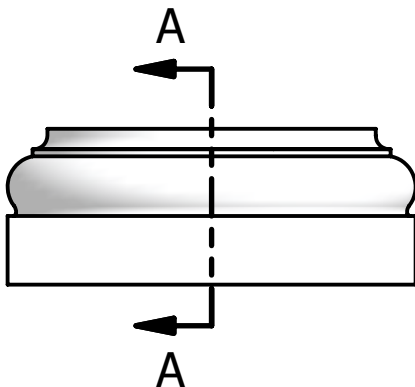
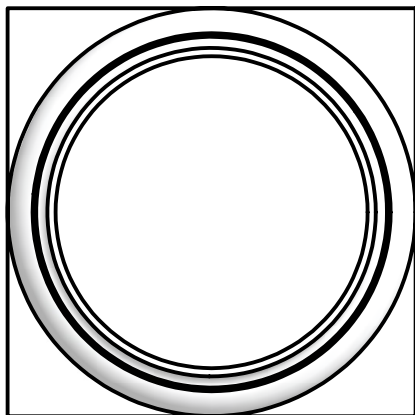


2

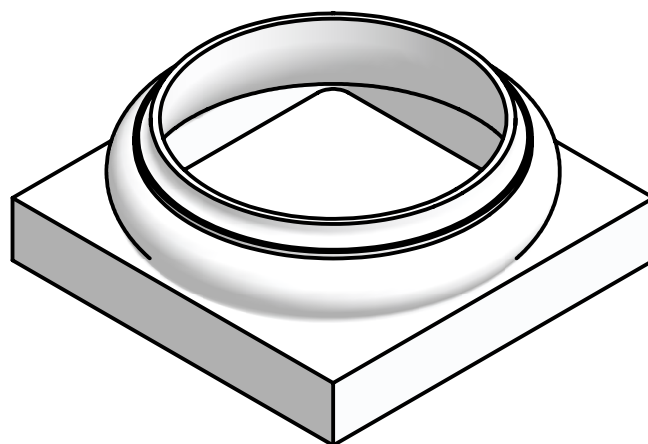
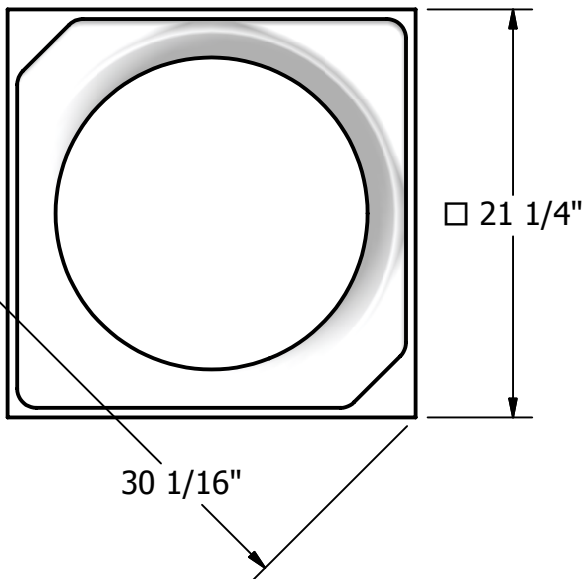
1

NOTES:

- 1. MATERIAL: FIBERGLASS REINFORCED POLYMER (FRP)
- 2. WEIGHT: 36 Lbs.
- 3. INSIDE DIAMETER: 16 1/4"
- 4. OUTSIDE DIAMETER: 21 1/4"




SECTION A-A




NOT TO SCALE

DRAWN	Bryan Daniels	4/21/2016
CHECKED		
QA		
MFG		
APPROVED		



DSI Digger
Specialties
Inc.
Transforming the Outdoor Living Experience



Westbury
COLUMNS

TITLE
Fiberglass/Composite Doric Round Base 16 Inch

DIMENSIONS ARE IN INCHES
TOLERANCE: ± 1/4"

SIZE	A	DWG NO	TB2616	REV	03
SCALE	1:10	SHEET 1 OF 1			

2

1