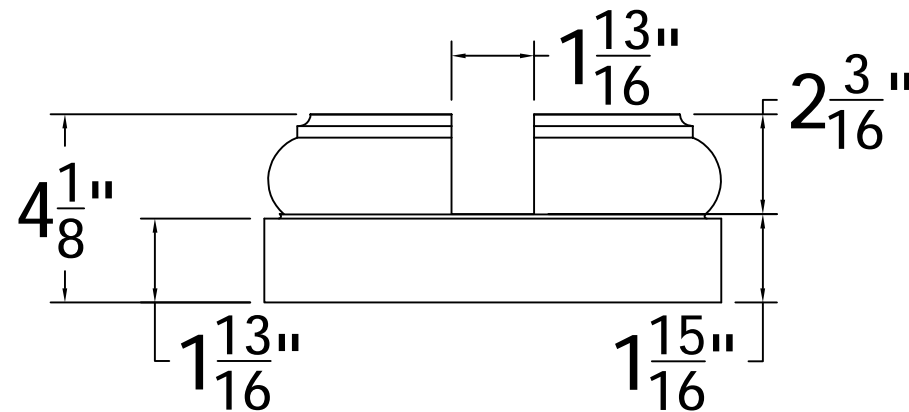
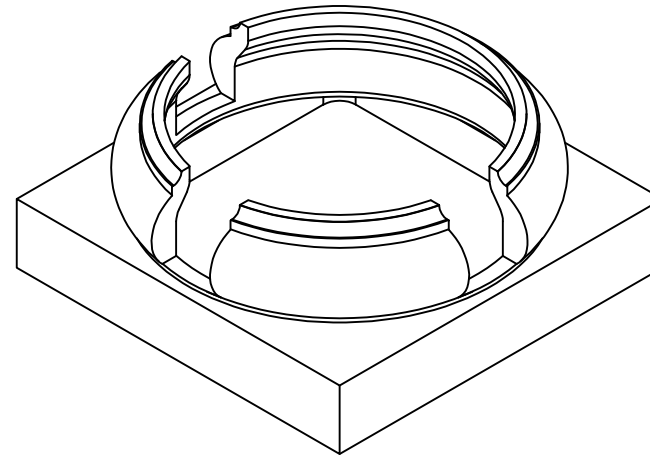
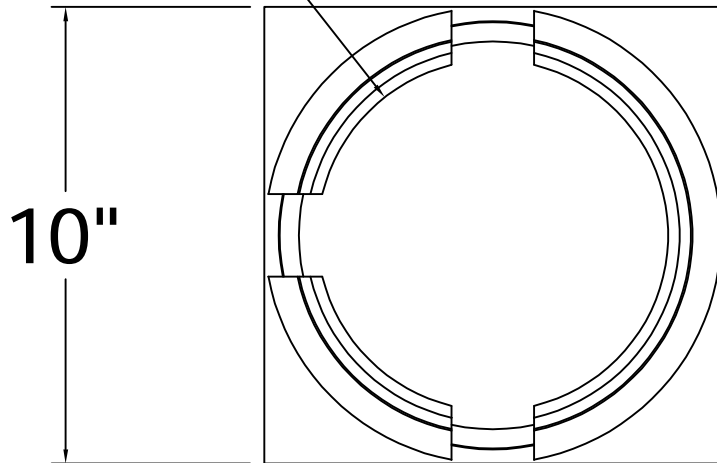


For 8" Round Columns

REV.	LOC.	REVISION	DATE

Ø7 $\frac{11}{16}$ "



3446 US 6 EAST
Bremen, IN 46506
diggerspecialties.com

DRAWN BY: EH	STYLE:	Doric Knock Out Base 8IN
DATE DRAWN: 11-21-2019	AS SHOWN:	
SCALE = 1":1"	DRAFT NO.:	LOC: Z:\Fiberglass\DSI Columns\8 Inch Columns\Updated Standard Drawings
20191121-1E	REV.	1

4

3

2

1

D

C

B

A