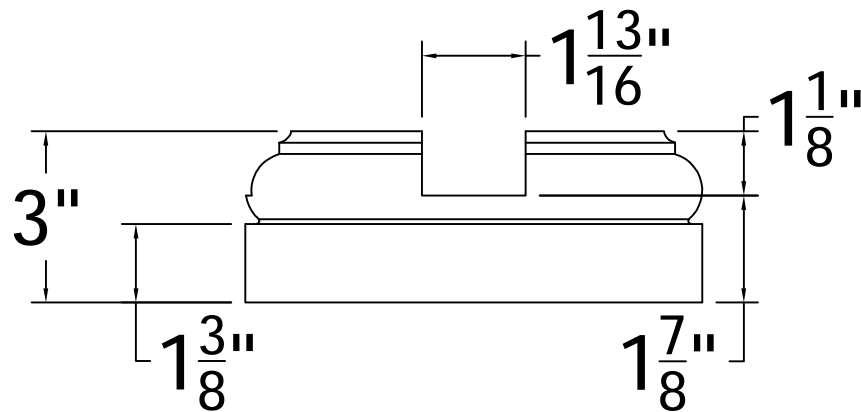
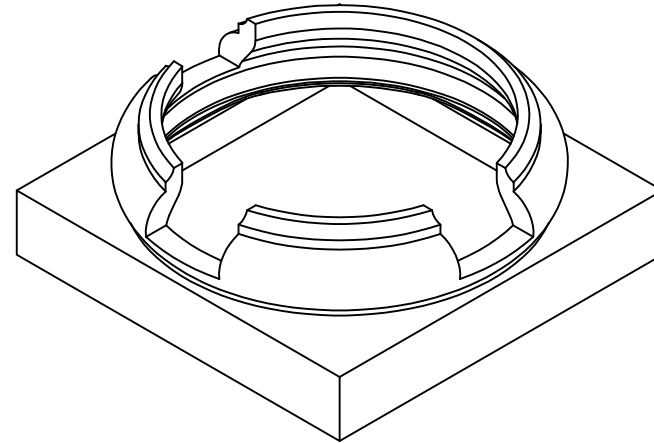
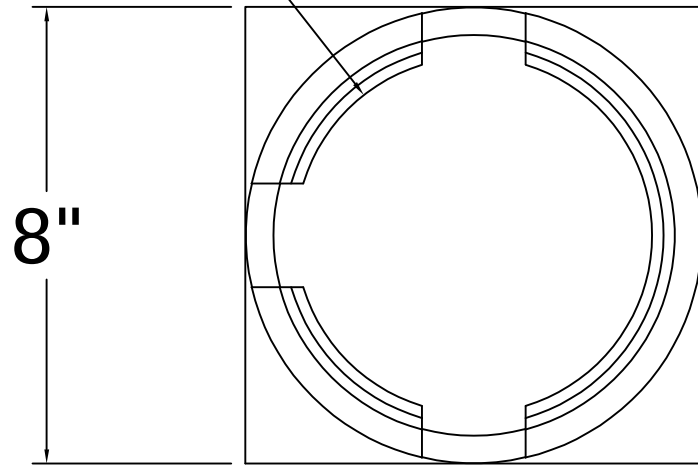


For 6" Round Columns

REV.	LOC.	REVISION	DATE

Ø6 $\frac{1}{4}$ "



DSI Digger
Specialties
Inc.
Transforming the Outdoor Living Experience
3446 US 6 EAST
Bremen, IN 46506
diggerspecialties.com

DRAWN BY: EH	STYLE:	Doric Knock Out Base 6IN
DATE DRAWN: 11-21-2019	AS SHOWN:	
SCALE = 1":1"	DRAFT NO.: 20191121-1E	LOC: Z:\Fiberglass\DSI Columns\6 Inch Columns\Updated Standard Drawings
		REV.

4

3

2

1

D

C

B

A