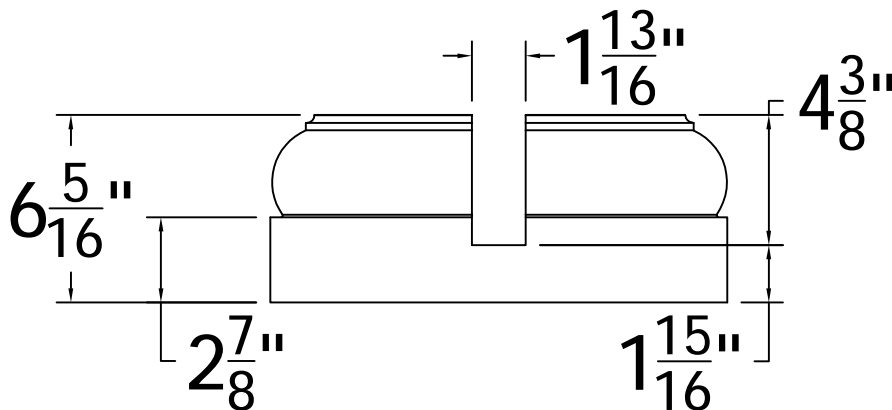
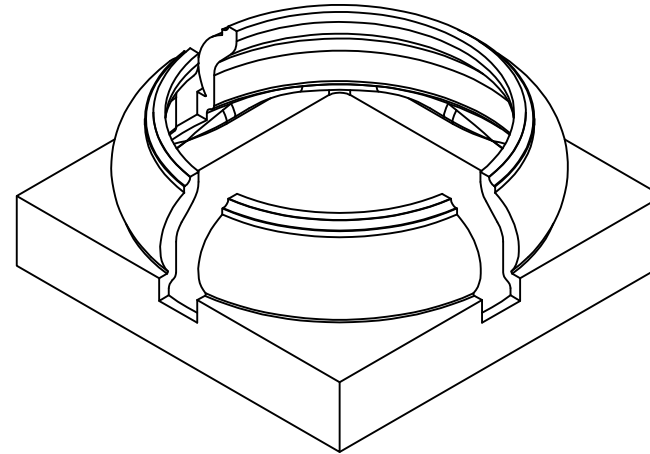
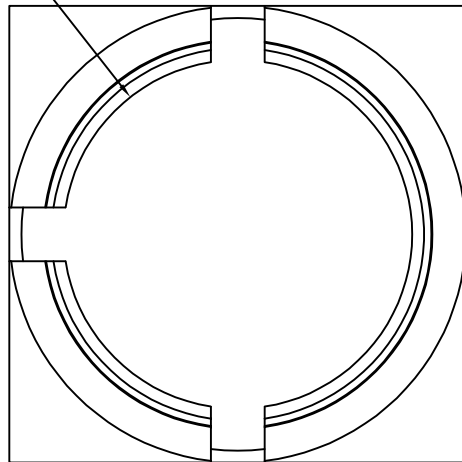


For 12" Round Columns

REV.	LOC.	REVISION	DATE

Ø11 $\frac{3}{4}$ "

15 $\frac{3}{8}$ "



4

3

2

1



DSI Digger Specialties Inc.
Transforming the Outdoor Living Experience
 3446 US 6 EAST
 Bremen, IN 46506
 diggerspecialties.com

DRAWN BY: EH	STYLE:	Doric Knock Out Base 12IN
DATE DRAWN: 11-22-2019	AS SHOWN:	
SCALE = 1":1"	DRAFT NO.: 20191122-1E	LOC: Z:\Fiberglass\DSI Columns\12 Inch Columns\Updated Standard Drawings
		REV.

D

C

B

A