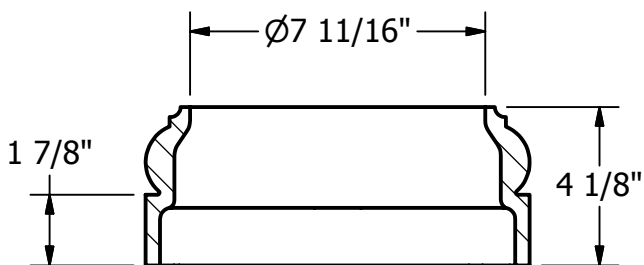
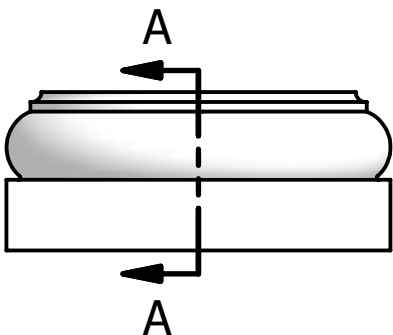
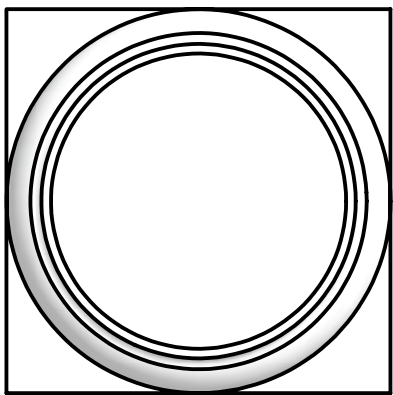


2

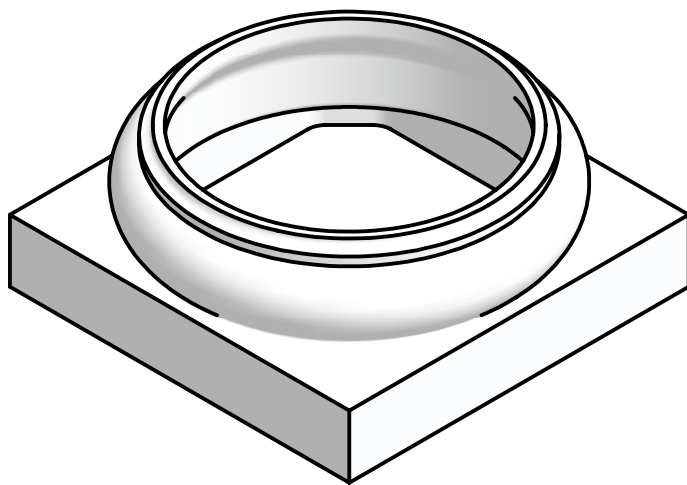
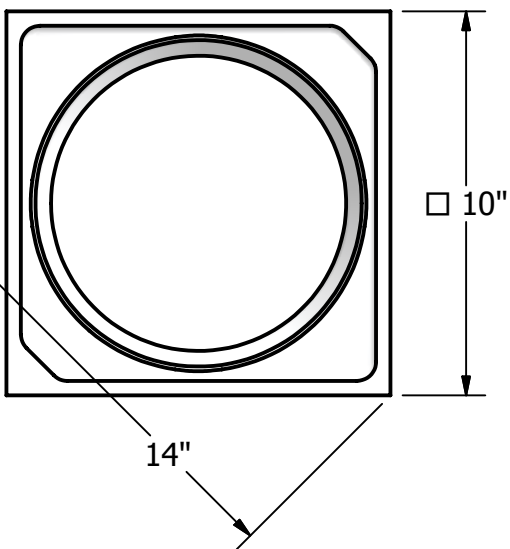
1

NOTES:

- 1. MATERIAL: FIBERGLASS REINFORCED POLYMER (FRP)
- 2. WEIGHT: 4.5 Lbs.
- 3. INSIDE DIAMETER: 7 11/16 "
- 4. OUTSIDE DIAMETER: 10 "



SECTION A-A



NOT TO SCALE

DRAWN	Bryan Daniels	4/20/2016
CHECKED		
QA		
MFG		
APPROVED		



DSI
Digger
Specialties
Inc.
Transforming the Outdoor Living Experience



Westbury
COLUMNS

TITLE Fiberglass Doric Base 8 Inch			
SIZE	A	DWG NO	Doric Base 8 Inch
			REV 03

DIMENSIONS ARE IN INCHES
TOLERANCE: ± 1/4"

1:5	SHEET 1 OF 1	
-----	--------------	--

2

1

