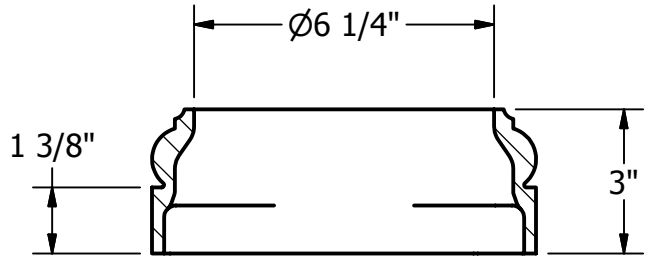
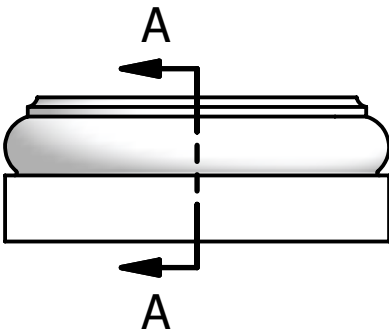
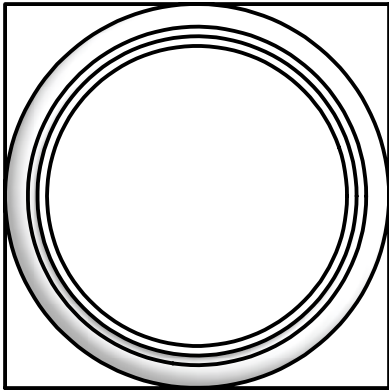


2

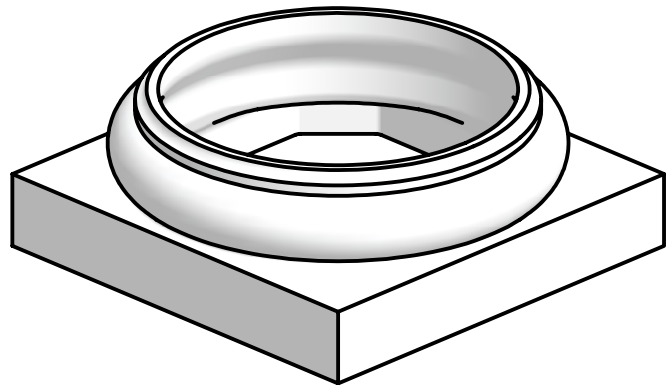
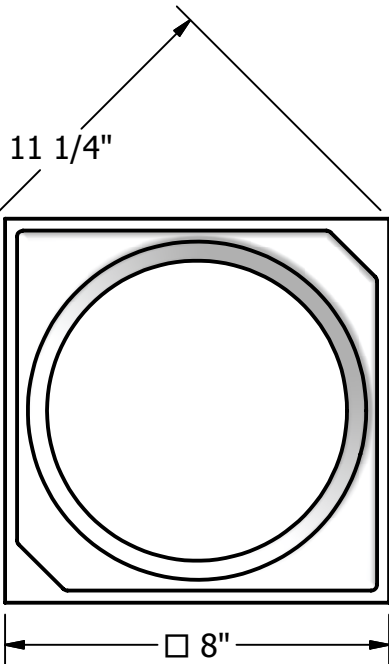
1

NOTES:

- 1. MATERIAL: FIBERGLASS REINFORCED POLYMER (FRP)
- 2. WEIGHT: 3 Lbs.
- 3. INSIDE DIAMETER: 6 1/4 "
- 4. OUTSIDE DIAMETER: 8 "



SECTION A-A



NOT TO SCALE

DRAWN	Bryan Daniels	4/26/2016
CHECKED		
QA		
MFG		
APPROVED		

DIMENSIONS ARE IN INCHES
TOLERANCE: ± 1/4"



TITLE
Fiberglass Doric Base 6 Inch

SIZE A	DWG NO	Doric Base 6 Inch	REV	01
1:4		SHEET 1 OF 1		

2

1