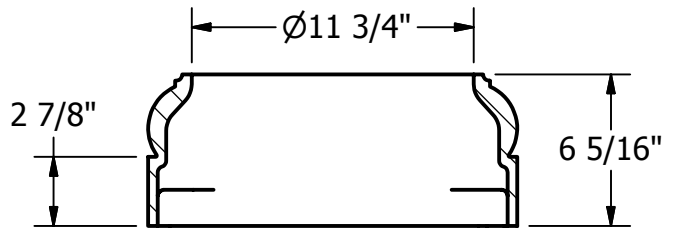
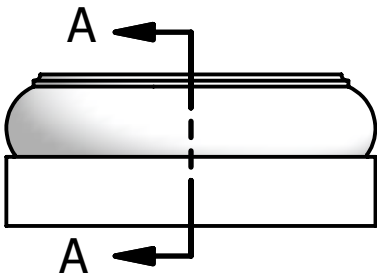
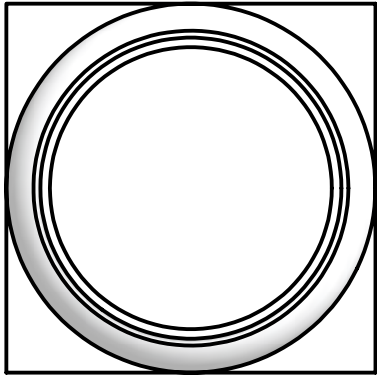


2

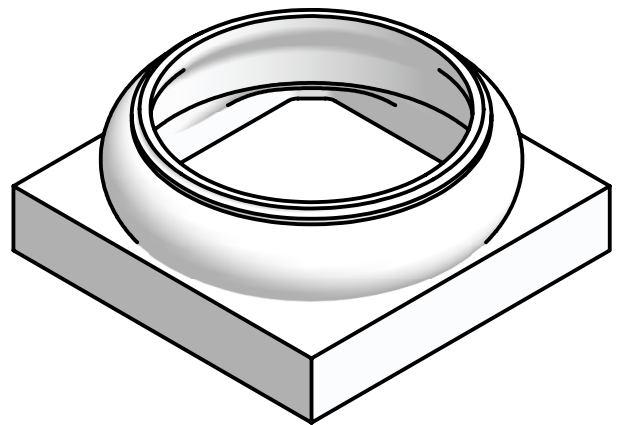
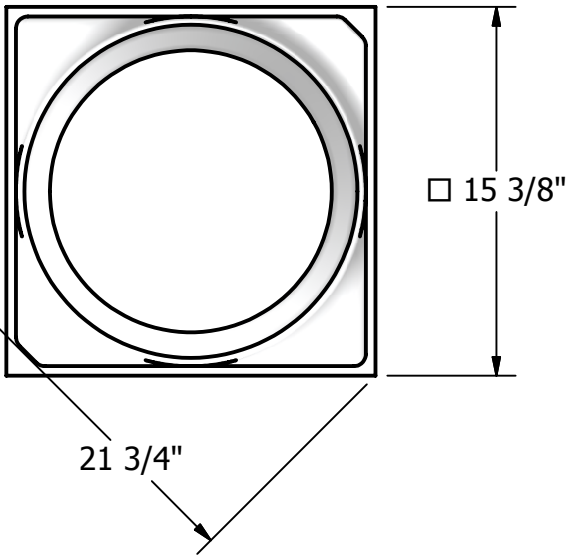
1

NOTES:

- 1. MATERIAL: FIBERGLASS REINFORCED POLYMER (FRP)
- 2. WEIGHT: 16.5 Lbs.
- 3. INSIDE DIAMETER: 11 3/4 "
- 4. OUTSIDE DIAMETER: 15 3/8 "



SECTION A-A



NOT TO SCALE

DRAWN	Bryan Daniels	4/20/2016
CHECKED		
QA		
MFG		
APPROVED		



DSI Digger Specialties Inc.
Transforming the Outdoor Living Experience



Westbury
COLUMNS

TITLE Fiberglass Doric Base 12 Inch			
SIZE	A	DWG NO	REV
		Doric Base 12 Inch	01

DIMENSIONS ARE IN INCHES
TOLERANCE: ± 1/4"

1:8	SHEET 1 OF 1
-----	--------------

2

1

