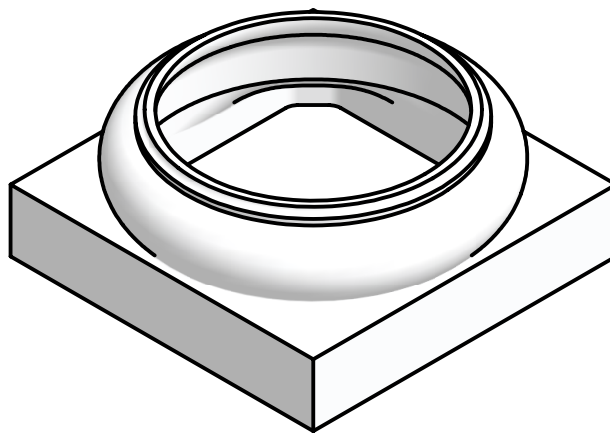
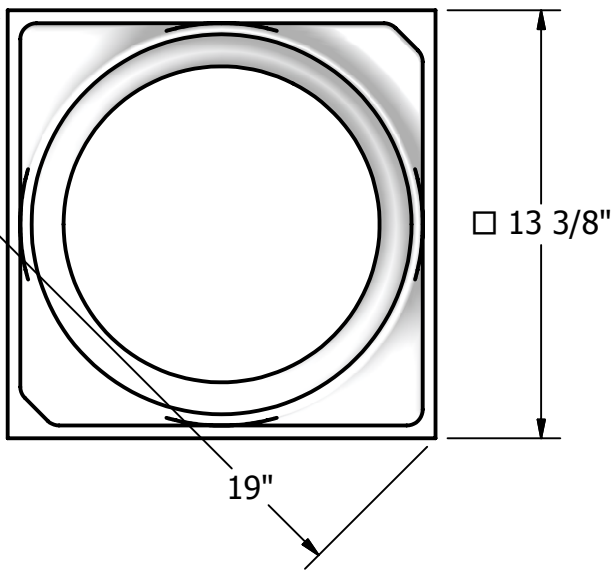
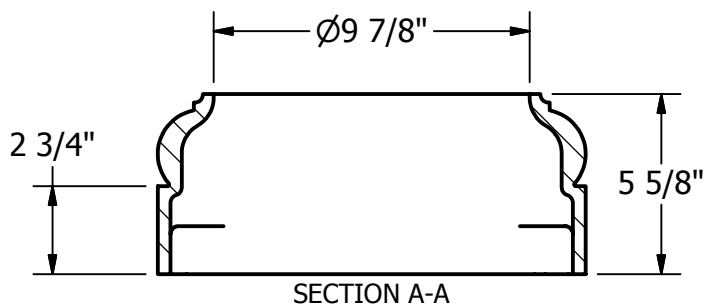
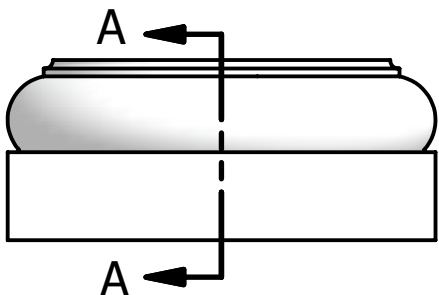
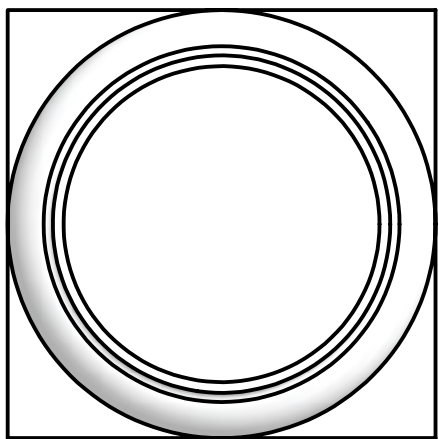


2

1

NOTES:

- 1. MATERIAL: FIBERGLASS REINFORCED POLYMER (FRP)
- 2. WEIGHT: 11.5 Lbs.
- 3. INSIDE DIAMETER: 9 7/8 "
- 4. OUTSIDE DIAMETER: 13 3/8 "



NOT TO SCALE

DRAWN	Bryan Daniels	4/20/2016
CHECKED		
QA		
MFG		
APPROVED		



DSI Digger
Specialties
Inc.
Transforming the Outdoor Living Experience



Westbury
COLUMNS

TITLE Fiberglass Doric Base 10 Inch			
SIZE	A	DWG NO	Doric Base 10 Inch
			REV 01

DIMENSIONS ARE IN INCHES
TOLERANCE: ± 1/4"

1:6	SHEET 1 OF 1
-----	--------------

2

1

