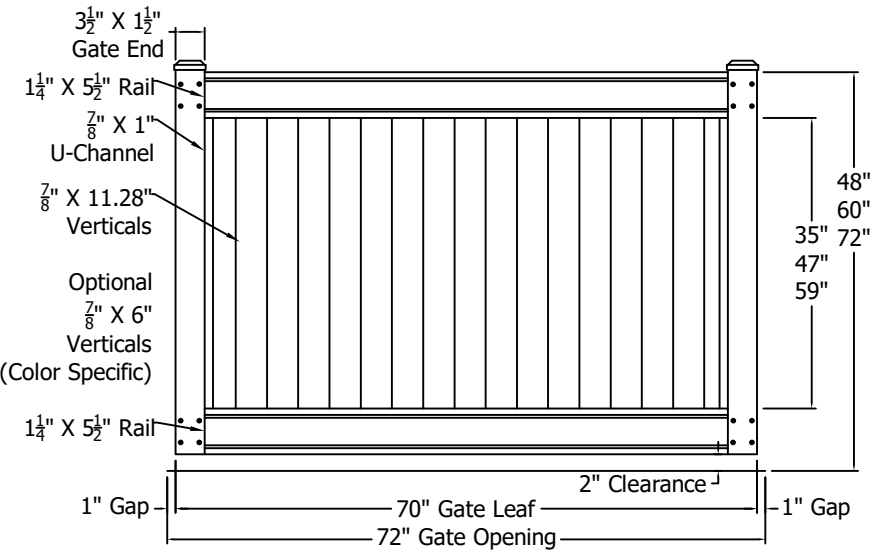
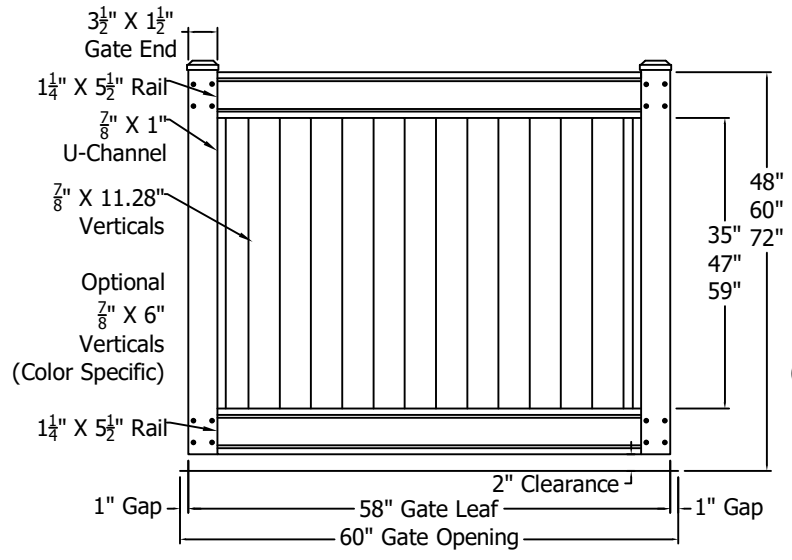
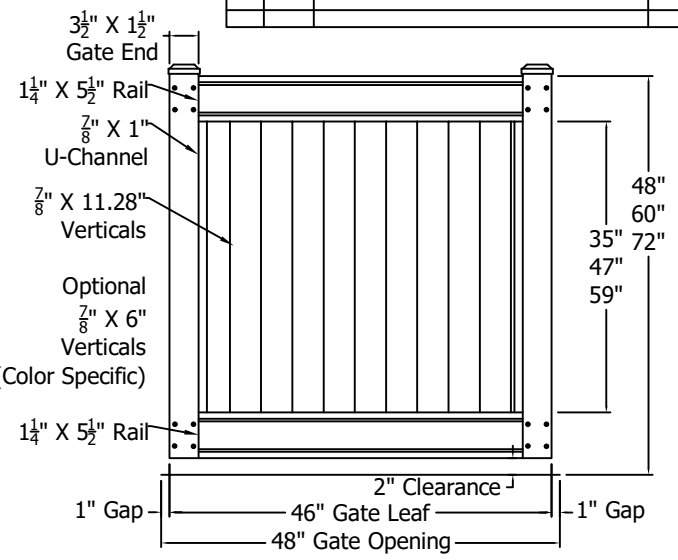
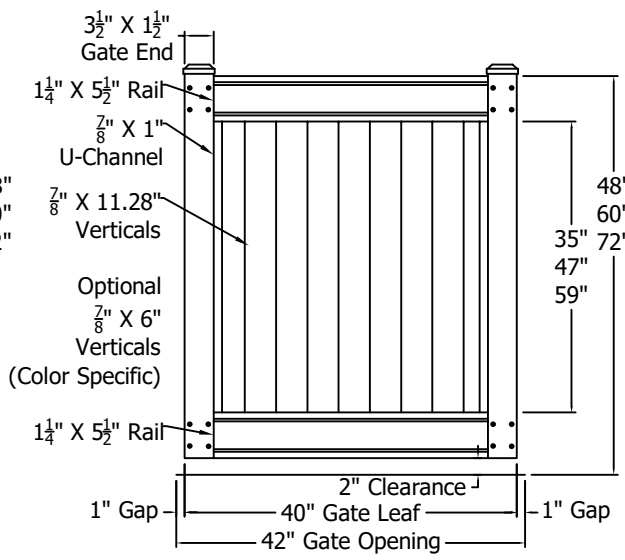
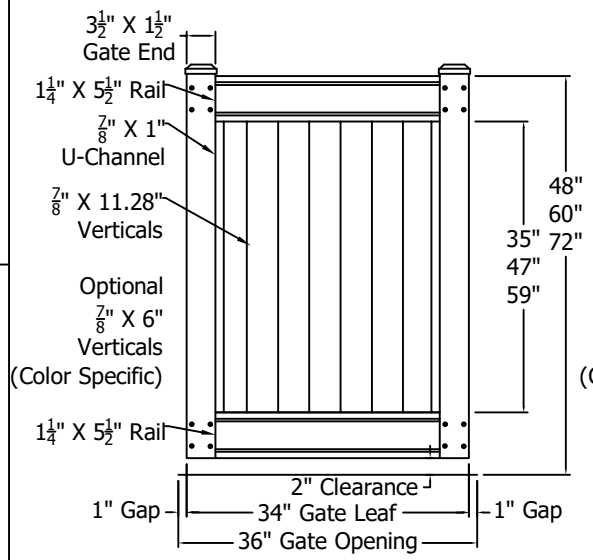




REV.	LOC.	REVISION	DATE
B		Removed $\frac{3}{4}$ " Overhang On Gate Bottom	9/27/22



	 <p>Transforming the Outdoor Living Experience™</p> <p>3446 US 6 EAST Bremen, IN 46506 diggerspecialties.com</p>	DRAWN BY: EH DATE DRAWN: 09-27-2022	STYLE: <b>Designer Standard Gates</b>
		SCALE = 1":1"	AS SHOWN 48" T
		DRAFT NO.: 20220927-1E	LOC: Z:\Designer\Updated Standard Drawings
			REV. B

4

3

2

1

D

C

B

A