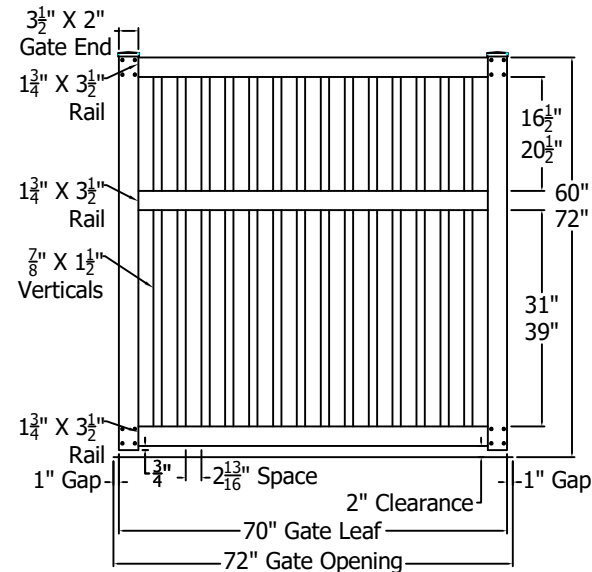
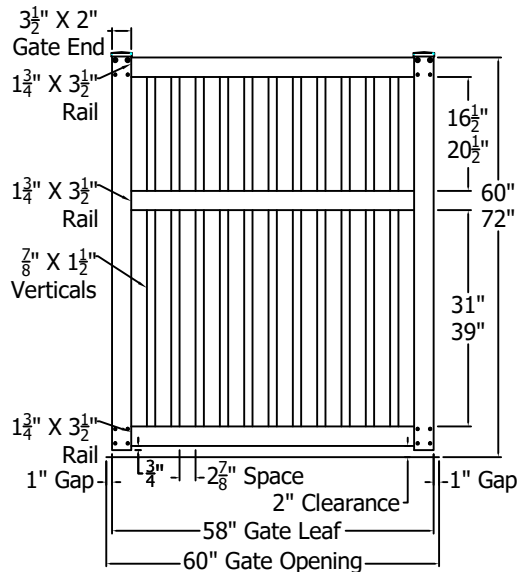
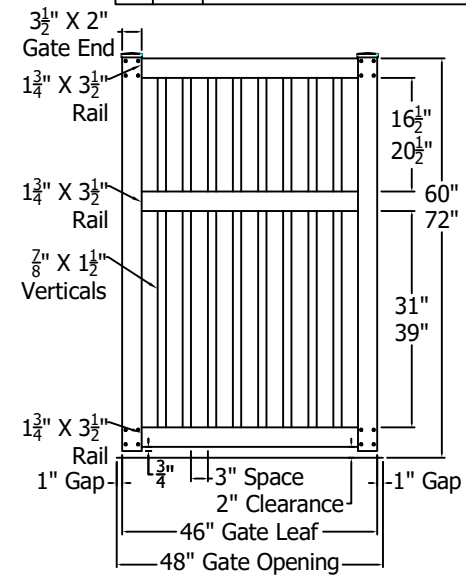
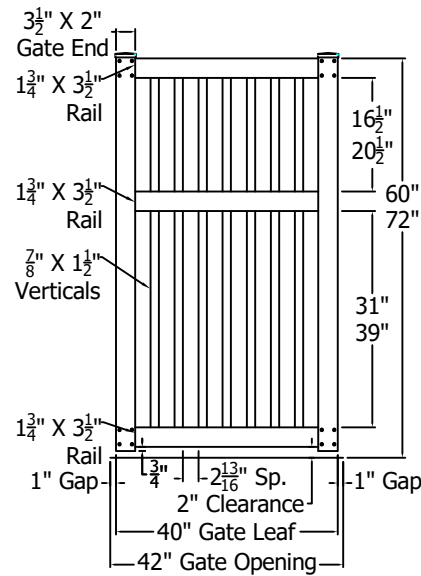
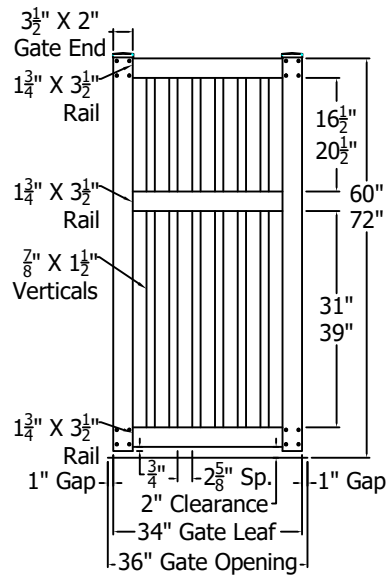


Rails And Gate Ends Reinforced With Aluminum

REV.	LOC.	REVISION	DATE



4

3

2

1



DSI Digger Specialties Inc.
Transforming the Outdoor Living Experience
 3446 US 6 EAST
 Bremen, IN 46506
 diggerspecialties.com

DRAWN BY: EH
 DATE DRAWN: 03-20-2020
 SCALE = 1":1"
 DRAFT NO.: 20200320-1E

STYLE: **Colonial Standard Gates**
 AS SHOWN: 72" T
 LOC: Z:\Vinyl\Polyvinyl Fence\Colonial\Updated Standard Drawings
 REV.

D

C

B

A