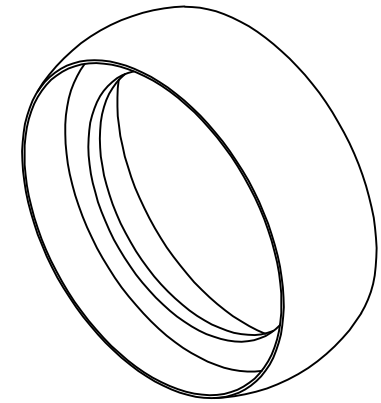
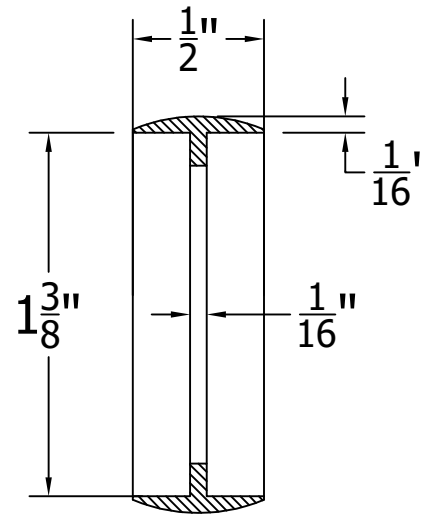
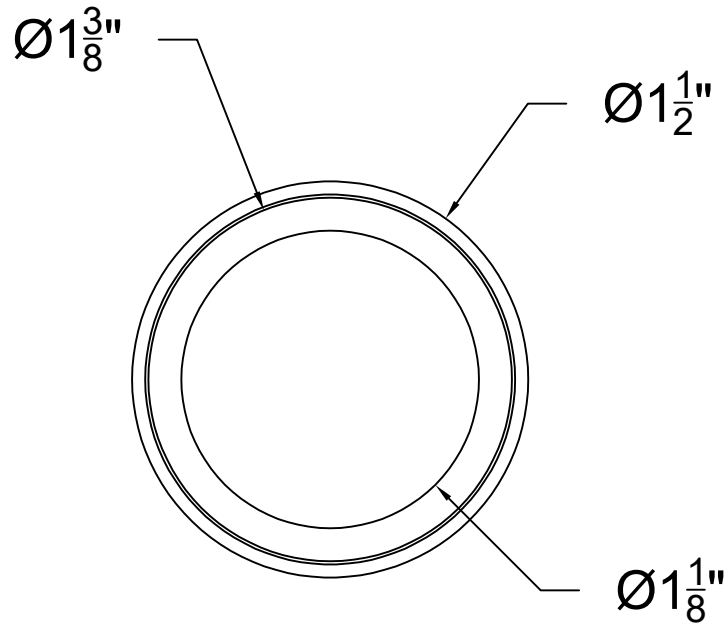




REV.	LOC.	REVISION	DATE
A		Updated Logos	1/6/21



	 <p>3446 US 6 EAST Bremen, IN 46506 diggerspecialties.com</p>	DRAWN BY: EH	STYLE:
		DATE DRAWN: 02-25-2020	Collar Ring
SCALE = 1":1"		AS SHOWN:	
DRAFT NO.: 20200225-1E	LOC: Z:\Aluminum\ADA Continuous Handrail	REV.	A

4

3

2

1

D

C

B

A