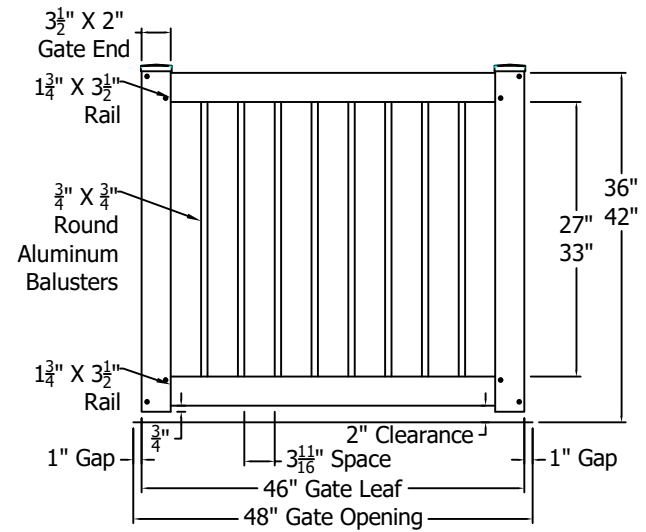
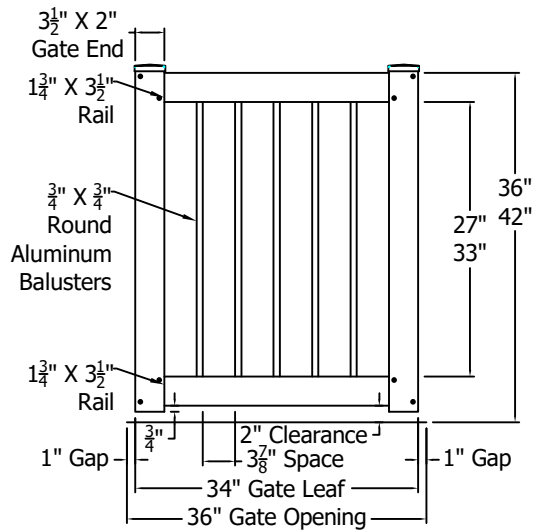




Rails And Gate Ends Reinforced With Aluminum

REV.	LOC.	REVISION	DATE
B		Updated Logos	12/22/20



 PolyRail VINYL RAILING	 Digger Specialties Inc. <i>Transforming the Outdoor Living Experience™</i> 3446 US 6 EAST Bremen, IN 46506 diggerspecialties.com	DRAWN BY: EH	STYLE:
		DATE DRAWN: 01-03-2020	Cardinal Standard Gates B Series
		SCALE = 1":1"	AS SHOWN: 42" T
		DRAFT NO.: 20200103-1E	LOC: Z:\Vinyl\PolyRail Railing/Cardinal\Updated Standard Drawings
			REV. B

4

3

2

1

D

C

B

A