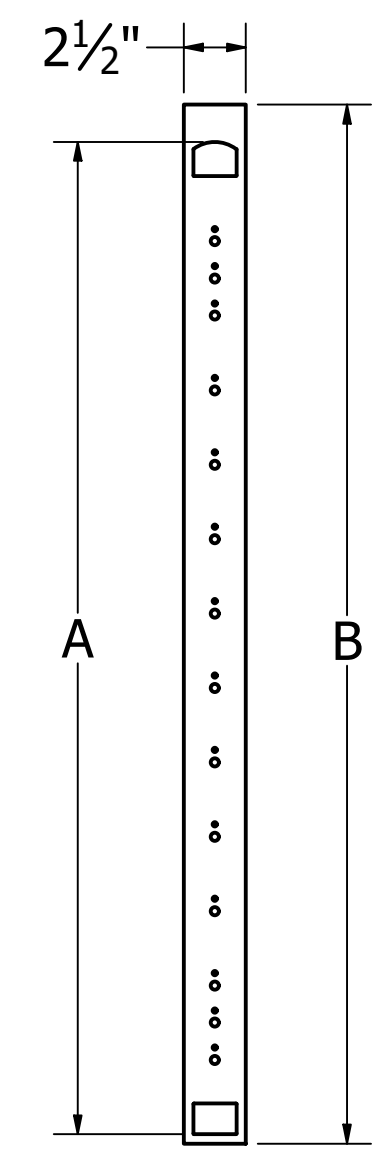
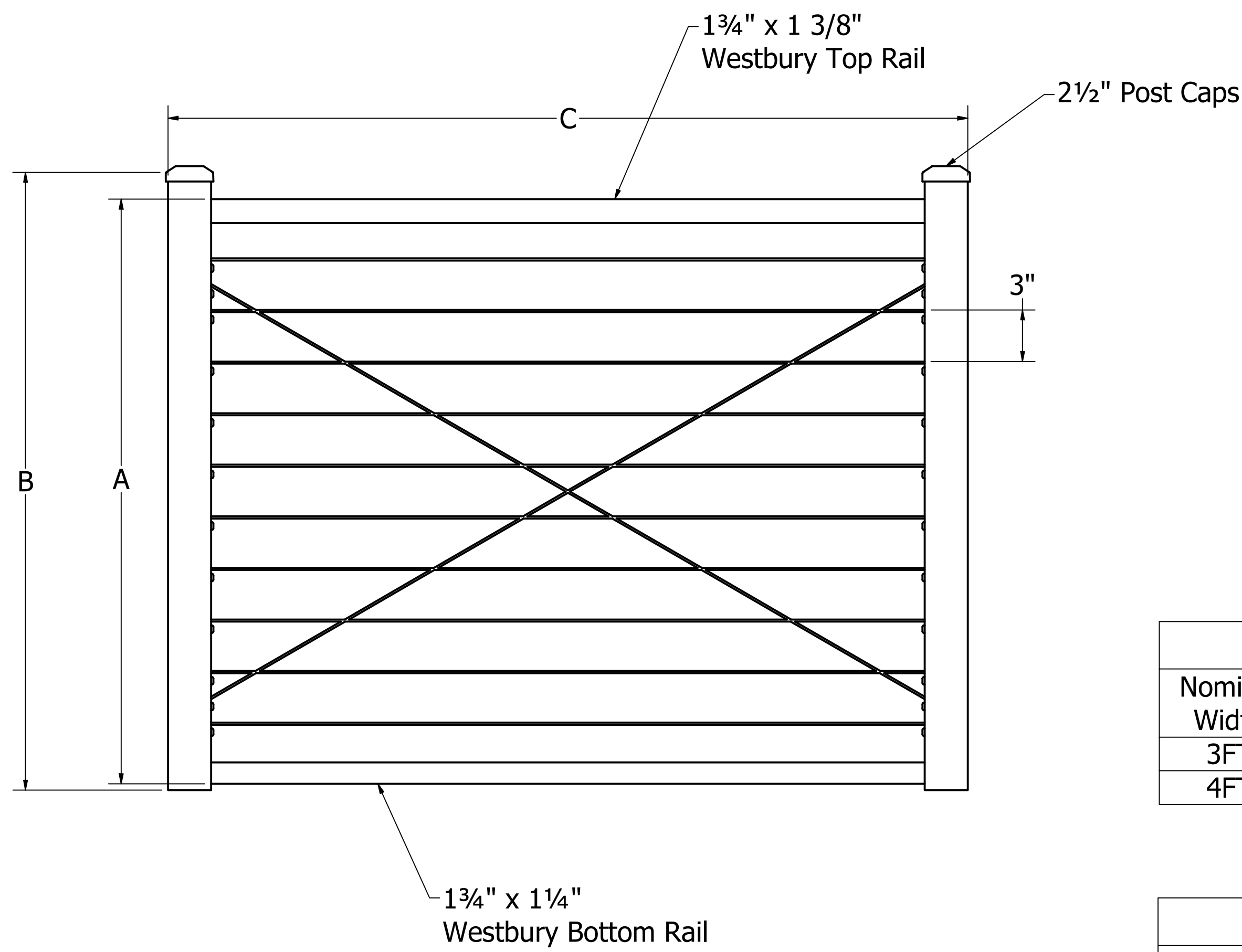


REV.	DESCRIPTION	DATE



36" Tall				
Nominal Width	A	B	C	Part #
3FT	34	35.875	34.5	174270
4FT	34	35.875	46.5	174271

42" Tall				
Nominal Width	A	B	C	Part #
3FT	40	41.875	34.5	174273
4FT	40	41.875	46.5	

C91 Gates
3FT & 4FT



Transforming the Outdoor Living Experience™
3446 US 6 EAST
BREMEN, IN 46506
diggerspecialties.com

WEIGHT:
STANDARD TOLERANCE:
.00 \ .01
.000 \ .005
ANG. \ .5~
FRACTIONS: ± 1/16"

DRAWN BY: RP
DATE DRAWN:
4/15/2024
DRAFT NO.
20240416-1R

MATERIAL:
PART NAME:
C91 Adjustable Gates 3FT,4FT.idw

FILE LOC: Z:\Aluminum\Westbury\C90 Bella Cavo\Gates\C91 Adjustable Gates 3FT,4FT.idw

PART NUMBER: REV.